

Flat suction cup (round)

<https://www.schmalz.com/10.01.01.00192>



PFYN 95 FPM-65 G1/4-AG

Part no.: 10.01.01.00192

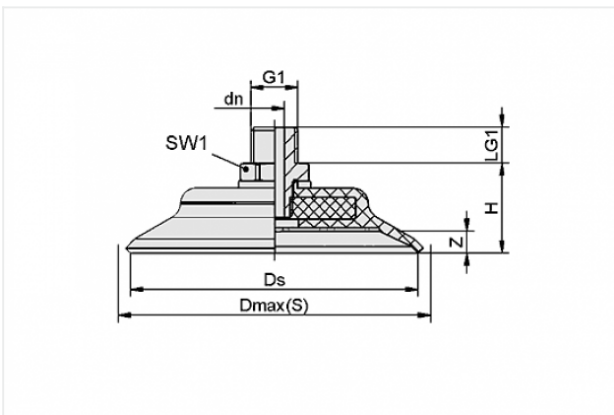
Homepage > Vacuum Technology for Automation > Vacuum Components > Vacuum Suction Cups > Flat Suction Cups (Round) > Flat Suction Cups
PFYN > PFYN 95 FPM-65 G1/4-AG

Flat suction cup (round) for smooth or slightly rough surfaces



Size: 95
Suction cup material:
Fluorocautchuc FPM
Material hardness: 65 °Sh
Material property: imprint-free
Nipple material: Aluminium
Vacuum connection: G1/4"-M

Design Data



Attribute	Value
dn	5.5 mm
Dmax(S)	102 mm
Ds	95 mm
G1	G1/4"-M
H	25.5 mm
LG1	10 mm
SW1	17 mm
Z	6 mm

Technical Data

Contact to Schmalz

J. Schmalz GmbH | Johannes-Schmalz-Straße, 72293 Glatten, Deutschland | +49 7443 2403-102 |
customercenter@schmalz.de

Attribute	Value
Suction force	350 N
Volume	35 cm ³
Curve radius (min) (convex)	200 mm
Internal hose diameter (recom.)	6 mm
Size	95
Number of folds	0
Suction cup material	Fluorocaoutchuc FPM
Material hardness	65 °Sh
Weight	102.2 g
Product family	PFYN

Note:

- Suction force: The specified suction forces are theoretical values at a vacuum of -0.6 bar and with a smooth, dry workpiece surface - they do not include a safety factor
- Hose diameter: The recommended hose diameter refers to a hose length of approx. 2 m

Spare Parts



PFG 95 FPM-65 N009 M10x1.25-IG

Part no. 10.01.01.00080

Flat suction cup (round) for smooth or slightly rough surfaces

Size: 95

Suction cup material:

Fluorocaoutchuc FPM

Material hardness: 65 °Sh

Connection thread: M10x1.25-F

Material property: imprint-free

Accessories

Contact to Schmalz

J. Schmalz GmbH | Johannes-Schmalz-Straße, 72293 Glatten, Deutschland | +49 7443 2403-102 | customercenter@schmalz.de

**SU 100**

Part no. 10.01.01.12840

Cover for suction cup

Size: 100

Clamping range: 110.0 ... 115.0 mm

Temperature resistance: 80 °C