

# Flat suction cup (round)

<https://www.schmalz.com/10.01.01.00107>



PFYN 80 SI-55 G1/4-IG

Part no.: 10.01.01.00107

Homepage > Vacuum Technology for Automation > Vacuum Components > Vacuum Suction Cups > Flat Suction Cups (Round) > Flat Suction Cups

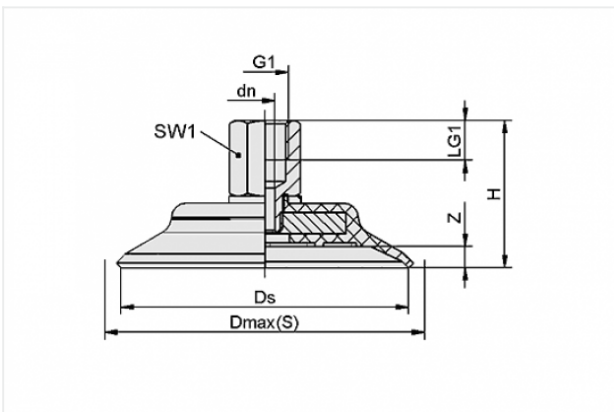
PFYN > PFYN 80 SI-55 G1/4-IG

## Flat suction cup (round) for smooth or slightly rough surfaces



Size: 80  
Suction cup material: Silicone SI  
Material hardness: 55 °Sh  
Material characteristics:  
FDA-compatible  
Nipple material: Aluminium  
Vacuum connection: G1/4"-F

### Design Data



| Attribute | Value   |
|-----------|---------|
| dn        | 5.5 mm  |
| Dmax(S)   | 86 mm   |
| Ds        | 80 mm   |
| G1        | G1/4"-F |
| H         | 41 mm   |
| LG1       | 11 mm   |
| SW1       | 17 mm   |
| Z         | 6 mm    |

### Technical Data

#### Contact to Schmalz

J. Schmalz GmbH | Johannes-Schmalz-Straße, 72293 Glatten, Deutschland | +49 7443 2403-102 | [customercenter@schmalz.de](mailto:customercenter@schmalz.de)

| Attribute                       | Value              |
|---------------------------------|--------------------|
| Suction force                   | 260 N              |
| Volume                          | 25 cm <sup>3</sup> |
| Curve radius (min) (convex)     | 150 mm             |
| Internal hose diameter (recom.) | 6 mm               |
| Size                            | 80                 |
| Number of folds                 | 0                  |
| Suction cup material            | Silicone SI        |
| Material hardness               | 55 °Sh             |
| Weight                          | 65.2 g             |
| Product family                  | PFYN               |

**Note:**

- Suction force: The specified suction forces are theoretical values at a vacuum of -0.6 bar and with a smooth, dry workpiece surface - they do not include a safety factor
- Hose diameter: The recommended hose diameter refers to a hose length of approx. 2 m

**Spare Parts**



**SA-NIP N009 G1/4-IG**

Part no. 10.01.01.10096

Suction cup connection nipple pre-assembly

Nipple: N 009

Thread G1: G1/4"-F

Length L: 23 mm

for: Flat suction pad PFG



**PFG 80 SI-55 N009 M10x1.25-IG**

Part no. 10.01.01.00039

Flat suction cup (round) for smooth or slightly rough surfaces

Size: 80

Suction cup material: Silicone SI

Material hardness: 55 °Sh

Material characteristics:

FDA-compatible

Connection thread: M10x1.25-F

**Accessories**



**SU 80**

Part no. 10.01.01.12839

Cover for suction cup

Size: 80

Clamping range: 80.0 ... 100.0 mm

Temperature resistance: 80 °C