

Floating suction cup

SBS 60 HF G1/8-IG ESD/AL

Part no...:10.01.01.14818

<https://www.schmalz.com/10.01.01.14818>

Home > Vacuum Technology for Automation > Vacuum Components > Special Grippers > Floating Suction Cups > Floating Suction Cups SBS-ESD > SBS 60 HF G1/8-IG ESD/AL

Floating suction cup for handling sensitive workpieces



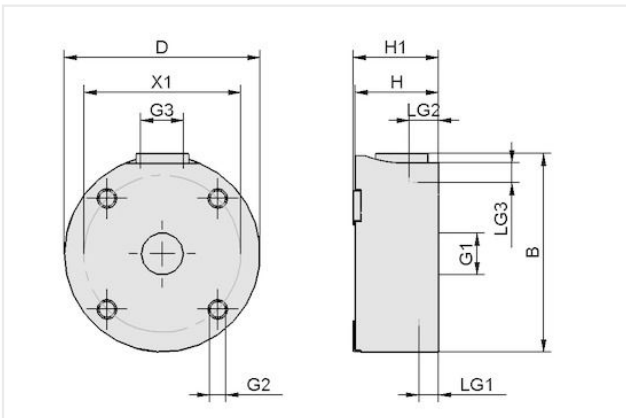
Diameter: 60 mm

Shape: High Flow

Compressed-air connection: G1/8"-F

Material: ESD/AL

Design Data



Attribute	Value
B	61.60 mm
D	60 mm
G1	G1/8"-F
G2	M4-F
G3	G1/8"-F
H	17 mm
H1	17.40 mm
LG1	5 mm
LG2	6 mm
LG3	6 mm
X1	45 mm

Technical Data

Attribute	Value
Holding force	18.50 N
Air consumption	13.50 m ³ /h
Air consumption	225 l/min
Pressure range (operating pressure)	1.0 ... 6.0 bar
Weight	118 g

Contact Schmalz

J. Schmalz GmbH | Johannes-Schmalz-Str.1, D-72293 Glatten | +49 7443 2403-102 | customercenter@schmalz.de

Floating suction cup

SBS 60 HF G1/8-IG ESD/AL

Part no...:10.01.01.14818

<https://www.schmalz.com/10.01.01.14818>

Spare parts



REIB-FL SBS NBR-ESD-55

Part no...:10.01.01.14382

Construction use: Floating suction cup

Suction cup material: Nitrile rubber NBR-dissipative

Material hardness [Shore A]: 55 Shore A