

# Flat suction cup (round)

<https://www.schmalz.com/10.01.01.00149>



## PFYN 80 NBR-55 G1/4-AG

Part no.: 10.01.01.00149

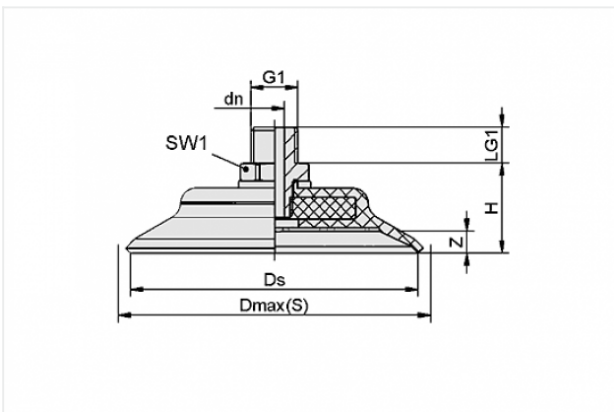
Homepage > Vacuum Technology for Automation > Vacuum Components > Vacuum Suction Cups > Flat Suction Cups (Round) > Flat Suction Cups  
PFYN > PFYN 80 NBR-55 G1/4-AG

### Flat suction cup (round) for smooth or slightly rough surfaces



Size: 80  
Suction cup material:  
Nitrile rubber NBR  
Material hardness: 55 °Sh  
Nipple material: Aluminium  
Vacuum connection: G1/4-M

### Design Data



Attribute	Value
dn	5.5 mm
Dmax(S)	86 mm
Ds	80 mm
G1	G1/4"-M
H	25 mm
LG1	10 mm
SW1	17 mm
Z	6 mm

### Technical Data

#### Contact to Schmalz

J. Schmalz GmbH | Johannes-Schmalz-Straße, 72293 Glatten, Deutschland | +49 7443 2403-102 |  
customercenter@schmalz.de

Attribute	Value
Suction force	260 N
Volume	25 cm <sup>3</sup>
Curve radius (min) (convex)	150 mm
Internal hose diameter (recom.)	6 mm
Size	80
Number of folds	0
Suction cup material	Nitrile rubber NBR
Material hardness	55 °Sh
Weight	62.5 g
Product family	PfYN

**Note:**

- Suction force: The specified suction forces are theoretical values at a vacuum of -0.6 bar and with a smooth, dry workpiece surface - they do not include a safety factor
- Hose diameter: The recommended hose diameter refers to a hose length of approx. 2 m

**Spare Parts**



**SA-NIP N009 G1/4-AG**

Part no. 10.01.01.10097

Suction-pad connection nipple pre-assembly

Nipple: N 009

Thread 1: G1/4-M

Length: 5 mm

for: Flat suction pad PFG



**PFG 80 NBR-55 N009 M10x1.25-IG**

Part no. 10.01.01.00019

Flat suction cup (round) for smooth or slightly rough surfaces

Size: 80

Suction cup material:

Nitrile rubber NBR

Material hardness: 55 °Sh

Connection thread: M10x1.25-F

**Accessories**



**SU 80**

Part no. 10.01.01.12839

Cover for suction cup

Size: 80

Clamping range: 80.0 ... 100.0 mm

Temperature resistance: 80 °C