

Flat suction cup (round)

<https://www.schmalz.com/10.01.01.11157>



PFYN 80 HT1-60 G1/4-IG

Part no.: 10.01.01.11157

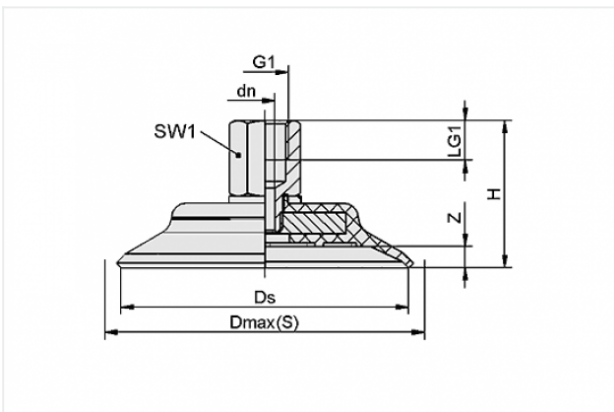
Homepage > Vacuum Technology for Automation > Vacuum Components > Vacuum Suction Cups > Flat Suction Cups (Round) > Flat Suction Cups
PFYN > PFYN 80 HT1-60 G1/4-IG

Flat suction cup (round) for smooth or slightly rough surfaces



Size: 80
Suction cup material:
High temp material HT1
Material hardness: 60 °Sh
Material property: imprint-free
Nipple material: Aluminium
Vacuum connection: G1/4-F

Design Data



Attribute	Value
-----------	-------

dn	5.5 mm
----	--------

Dmax(S)	86 mm
---------	-------

Ds	80 mm
----	-------

G1	G1/4"-F
----	---------

H	41 mm
---	-------

LG1	11 mm
-----	-------

SW1	17 mm
-----	-------

Z	6 mm
---	------

Technical Data

Contact to Schmalz

J. Schmalz GmbH | Johannes-Schmalz-Straße, 72293 Glatten, Deutschland | +49 7443 2403-102 |
customercenter@schmalz.de

Attribute	Value
Suction force	260 N
Volume	25 cm ³
Curve radius (min) (convex)	150 mm
Internal hose diameter (recom.)	6 mm
Size	80
Number of folds	0
Suction cup material	High temp material HT1
Material hardness	60 °Sh
Weight	65.2 g
Product family	PFYN

Note:

- Suction force: The specified suction forces are theoretical values at a vacuum of -0.6 bar and with a smooth, dry workpiece surface - they do not include a safety factor
- Hose diameter: The recommended hose diameter refers to a hose length of approx. 2 m

Spare Parts



SA-NIP N009 G1/4-IG

Part no. 10.01.01.10096

Suction cup connection nipple pre-assembly

Nipple: N 009

Thread G1: G1/4"-F

Length L: 23 mm

for: Flat suction pad PFG



PFG 80 HT1-60 N009 M10x1.25-IG

Part no. 10.01.01.11170

Flat suction cup (round) for smooth or slightly rough surfaces

Size: 80

Suction cup material:

High temp material HT1

Material hardness: 60 °Sh

Connection thread: M10x1.25-F

Material property: imprint-free

Accessories



SU 80

Part no. 10.01.01.12839

Cover for suction cup

Size: 80

Clamping range: 80.0 ... 100.0 mm

Temperature resistance: 80 °C