

Floating Suction Cup Thin

SBS 20 SF TH M1.6-AG AL

Part no...:10.01.01.14784

<https://www.schmalz.com/10.01.01.14784>

Home > Vacuum Technology for Automation > Vacuum Components > Special Grippers > Floating Suction Cups > Floating Suction Cups SBS Thin > SBS 20 SF TH M1.6-AG AL

Floating suction cup in particularly flat design for handling highly sensitive workpieces



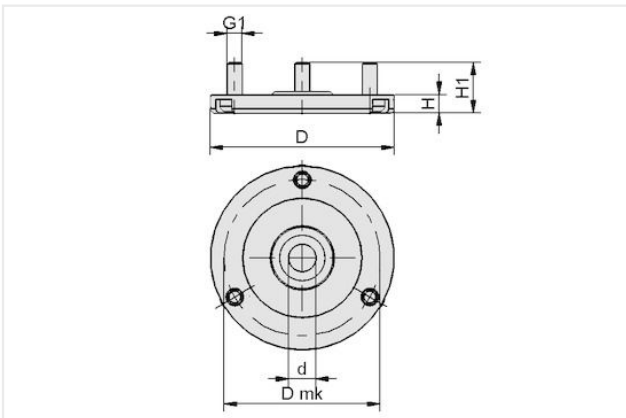
External diameter D: 20 mm

Shape: Standard Flow

construction shape compact ejectors: Thin design

Material: Aluminum

Design Data



Attribute	Value
D	20 mm
d	3 mm
Dmk	17 mm
G1	M1.6-M
H	2 mm
H1	5.50 mm

Technical Data

Attribute	Value
Shape	Standard Flow
Number of holes	8
Holding force	3 N
Air consumption	6 m ³ /h
Air consumption	100 l/min
Pressure range (operating pressure)	1.0 ... 6.0 bar
Operating temperature	0 ... 80 °C
Weight	1.70 g

Contact Schmalz

J. Schmalz GmbH | Johannes-Schmalz-Str.1, D-72293 Glatten | +49 7443 2403-102 | customercenter@schmalz.de



Floating Suction Cup Thin

SBS 20 SF TH M1.6-AG AL

Part no...:10.01.01.14784

<https://www.schmalz.com/10.01.01.14784>

Contact Schmalz

J. Schmalz GmbH | Johannes-Schmalz-Str.1, D-72293 Glatten | +49 7443 2403-102 |
customercenter@schmalz.de