

Bellows suction cups (round)

SAXB 80 ED-85 NPT3/8-IG

Part no.:10.01.42.00018

<https://www.schmalz.com/10.01.42.00018>

Home > Vacuum Technology for Automation > Vacuum Components > Vacuum Suction Cups > Suction Cups for Handling Sheet Metal > Bellows Suction Cups SAXB > SAXB 80 ED-85 NPT3/8-IG

High-speed bellows suction cup for adaptation to strongly curved and oiled surfaces



Size: 80

Suction cup material: Elastodur

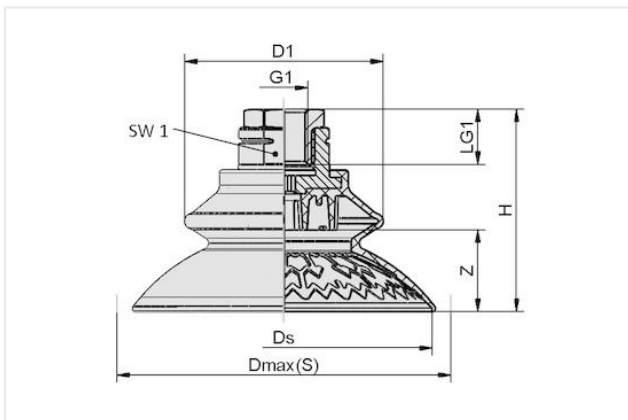
Material hardness [Shore A]: 85 Shore A

Nipple material: Brass

Connection: NPT3/8-IG

Number of folds: 1.5

Design Data



Attribute	Value
dn	6.10 mm
Dmax(S)	91 mm
Ds	81 mm
D1	54.10 mm
G1	NPT3/8-F
H	50 mm
LG1	13 mm
SW1	22 mm
Z (Stroke)	22.20 mm

Technical Data

Attribute	Value
Suction force (-600mbar)	150 N
Lateral force	160 N
Lateral force (oily surface)	155 N
Volume	70.70 cm ³
Curve radius (min) (convex)	32.50 mm
Hose diameter (empf.) d	6 mm
Size	80
Connection	NPT3/8-F

Contact Schmalz

J. Schmalz GmbH | Johannes-Schmalz-Str.1, D-72293 Glatten | +49 7443 2403-102 | customercenter@schmalz.de

Bellows suction cups (round)

SAXB 80 ED-85 NPT3/8-IG

Part no...:10.01.42.00018

<https://www.schmalz.com/10.01.42.00018>

Number of folds	1.50
Suction cup material	Elastodur
Material hardness [Shore A]	85 Shore A
Weight	72.80 g
Product family	SAXB
