

Flat suction cup (round)

<https://www.schmalz.com/10.01.01.00148>



PFYN 60 NBR-55 G1/4-AG

Part no.: 10.01.01.00148

Homepage > Vacuum Technology for Automation > Vacuum Components > Vacuum Suction Cups > Flat Suction Cups (Round) > Flat Suction Cups

PFYN > PFYN 60 NBR-55 G1/4-AG

Flat suction cup (round) for smooth or slightly rough surfaces



Size: 60

Suction cup material:

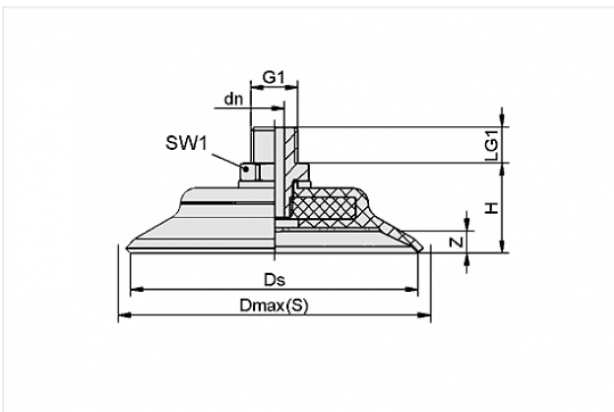
Nitrile rubber NBR

Material hardness: 55 °Sh

Nipple material: Aluminium

Vacuum connection: G1/4-M

Design Data



Attribute	Value
dn	5.5 mm
Dmax(S)	64 mm
Ds	60 mm
G1	G1/4"-M
H	23 mm
LG1	10 mm
SW1	17 mm
Z	4.7 mm

Technical Data

Contact to Schmalz

J. Schmalz GmbH | Johannes-Schmalz-Straße, 72293 Glatten, Deutschland | +49 7443 2403-102 | customercenter@schmalz.de

Attribute	Value
Suction force	125 N
Volume	10 cm ³
Curve radius (min) (convex)	100 mm
Internal hose diameter (recom.)	6 mm
Size	60
Number of folds	0
Suction cup material	Nitrile rubber NBR
Material hardness	55 °Sh
Weight	34.2 g
Product family	PfYN

Note:

- Suction force: The specified suction forces are theoretical values at a vacuum of -0.6 bar and with a smooth, dry workpiece surface - they do not include a safety factor
- Hose diameter: The recommended hose diameter refers to a hose length of approx. 2 m

Spare Parts



SA-NIP N009 G1/4-AG

Part no. 10.01.01.10097

Suction-pad connection nipple pre-assembly

Nipple: N 009

Thread 1: G1/4-M

Length: 5 mm

for: Flat suction pad PFG



PFG 60 NBR-55 N009 M10x1.25-IG

Part no. 10.01.01.00018

Flat suction cup (round) for smooth or slightly rough surfaces

Size: 60

Suction cup material:

Nitrile rubber NBR

Material hardness: 55 °Sh

Connection thread: M10x1.25-F

Accessories



SU 60

Part no. 10.01.01.13585

Cover for suction cup

Size: 60

Temperature resistance: 80 °C