

# Flat suction cup (round)

<https://www.schmalz.com/10.01.01.11156>



PFYN 60 HT1-60 G1/4-IG

Part no.: 10.01.01.11156

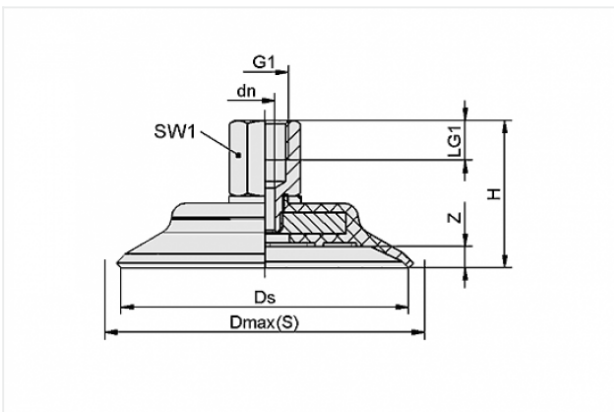
Homepage > Vacuum Technology for Automation > Vacuum Components > Vacuum Suction Cups > Flat Suction Cups (Round) > Flat Suction Cups  
PFYN > PFYN 60 HT1-60 G1/4-IG

## Flat suction cup (round) for smooth or slightly rough surfaces



Size: 60  
Suction cup material:  
High temp material HT1  
Material hardness: 60 °Sh  
Material property: imprint-free  
Nipple material: Aluminium  
Vacuum connection: G1/4-F

### Design Data



Attribute	Value
-----------	-------

dn	5.5 mm
----	--------

Dmax(S)	64 mm
---------	-------

Ds	60 mm
----	-------

G1	G1/4"-F
----	---------

H	39 mm
---	-------

LG1	11 mm
-----	-------

SW1	17 mm
-----	-------

Z	4.7 mm
---	--------

### Technical Data

#### Contact to Schmalz

J. Schmalz GmbH | Johannes-Schmalz-Straße, 72293 Glatten, Deutschland | +49 7443 2403-102 |  
customercenter@schmalz.de

Attribute	Value
Suction force	125 N
Volume	10 cm <sup>3</sup>
Curve radius (min) (convex)	100 mm
Internal hose diameter (recom.)	6 mm
Size	60
Number of folds	0
Suction cup material	High temp material HT1
Material hardness	60 °Sh
Weight	36.9 g
Product family	PFYN

**Note:**

- Suction force: The specified suction forces are theoretical values at a vacuum of -0.6 bar and with a smooth, dry workpiece surface - they do not include a safety factor
- Hose diameter: The recommended hose diameter refers to a hose length of approx. 2 m

**Spare Parts**



**SA-NIP N009 G1/4-IG**

Part no. 10.01.01.10096

Suction cup connection nipple pre-assembly

Nipple: N 009

Thread G1: G1/4"-F

Length L: 23 mm

for: Flat suction pad PFG



**PFG 60 HT1-60 N009 M10x1.25-IG**

Part no. 10.01.01.11169

Flat suction cup (round) for smooth or slightly rough surfaces

Size: 60

Suction cup material:

High temp material HT1

Material hardness: 60 °Sh

Connection thread: M10x1.25-F

Material property: imprint-free

**Accessories**



**SU 60**

Part no. 10.01.01.13585

Cover for suction cup

Size: 60

Temperature resistance: 80 °C