

CABLE GROMMET LS50F, LS60F Sheet Metal / One-touch Installation



- One-touch easy installation on sheet metal.
- Folding flap can close the opening when not in use.
- Can be used for thickness from 0.8 to 2.0 mm.
- Compliant with flame retardancy standard UL94 V-0.

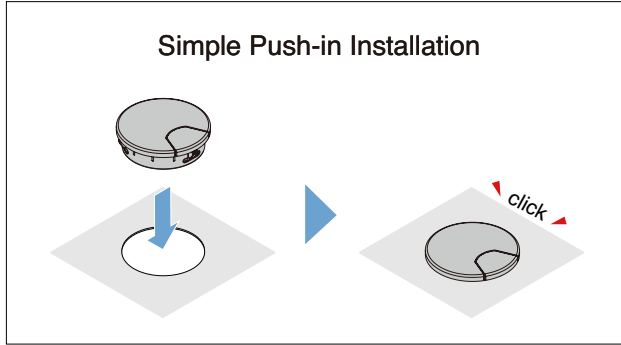
[Application]

- Operation consoles, steel cabinets, self-checkout

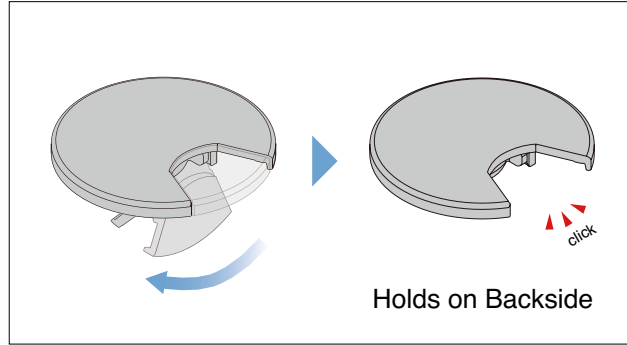
[Remarks]

- Cannot be installed on wood boards.

[Quick Installation to Sheet Metal]

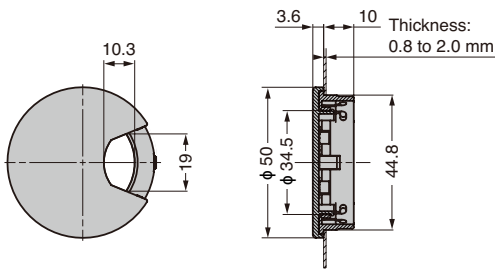


[Flap Cover]

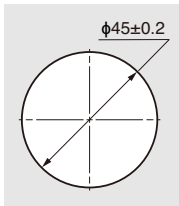


The cover can be folded and held on backside to prevent misplacement. The whole cap is removable for a wider opening.

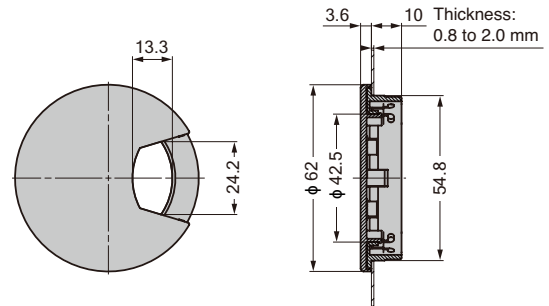
[LS50F]



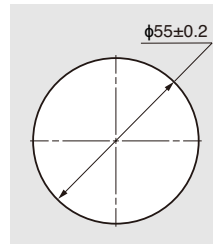
Cut Out Dimension



[LS60F]



Cut Out Dimension



[Video Link](#)



[LS50F] Hole diameter: 45 mm

RoHS	CAD	Item Code	Item Name	Colour	Material	Available Thickness	Weight (g)
●	●	210-045-891	LS50F-WT	White	ABS	0.8 to 2.0	9.8
●	●	210-045-892	LS50F-GR	Grey			
●	●	210-045-893	LS50F-BL	Black			

[LS60F] Hole diameter: 55 mm

RoHS	CAD	Item Code	Item Name	Colour	Material	Available Thickness	Weight (g)
●	●	210-045-894	LS60F-WT	White	ABS	0.8 to 2.0	15.3
●	●	210-045-895	LS60F-GR	Grey			
●	●	210-045-896	LS60F-BL	Black			