

Flat suction cup (round)

<https://www.schmalz.com/10.01.01.00079>



PFG 80 FPM-65 N009
M10x1.25-IG

Part no.: 10.01.01.00079

Homepage > Vacuum Technology for Automation > Vacuum Components > Vacuum Suction Cups > Flat Suction Cups (Round) > PFG 80 FPM-65

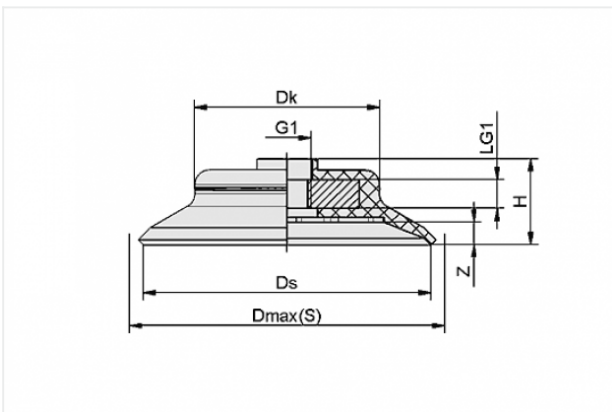
N009 M10x1.25-IG

Flat suction cup (round) for smooth or slightly rough surfaces



Size: 80
Suction cup material:
Fluorocautchuc FPM
Material hardness: 65 °Sh
Connection thread: M10x1.25-F
Material property: imprint-free

Design Data



Attribute	Value
-----------	-------

Dk	52.3 mm
----	---------

Dmax(S)	86 mm
---------	-------

Ds	80 mm
----	-------

G1	M10x1.25-F
----	------------

H	20.5 mm
---	---------

LG1	6 mm
-----	------

Z	6 mm
---	------

Technical Data

Attribute	Value
-----------	-------

Suction force	260 N
---------------	-------

Contact to Schmalz

J. Schmalz GmbH | Johannes-Schmalz-Straße, 72293 Glatten, Deutschland | +49 7443 2403-102 | customercenter@schmalz.de

Attribute	Value
Volume	26.756 cm ³
Curve radius (min) (convex)	150 mm
Size	80
Nipple	N 009
Number of folds	0
Suction cup material	Fluorocautchuc FPM
Material hardness	65 °Sh
Weight	69.5 g
Product family	PFG

Accessories



SU 80

Part no. 10.01.01.12839

Cover for suction cup

Size: 80

Clamping range: 80.0 ... 100.0 mm

Temperature resistance: 80 °C



SA-NIP N009 G1/4-AG

Part no. 10.01.01.10097

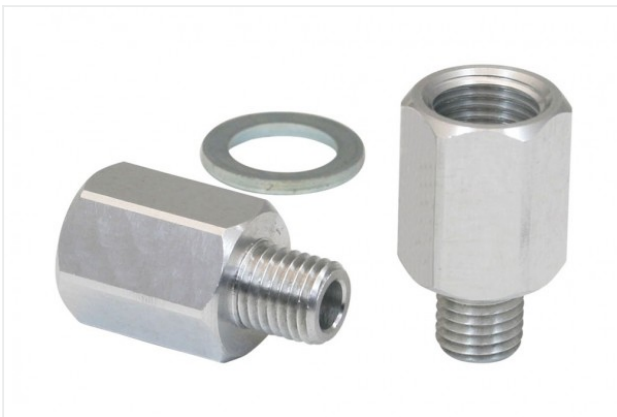
Suction-pad connection nipple pre-assembly

Nipple: N 009

Thread 1: G1/4-M

Length: 5 mm

for: Flat suction pad PFG



SA-NIP N009 G1/4-IG

Part no. 10.01.01.10096

Suction cup connection nipple pre-assembly

Nipple: N 009

Thread G1: G1/4"-F

Length L: 23 mm

for: Flat suction pad PFG