

Flat suction cup (round)

<https://www.schmalz.com/10.01.01.00190>



PFYN 60 FPM-65 G1/4-AG

Part no.: 10.01.01.00190

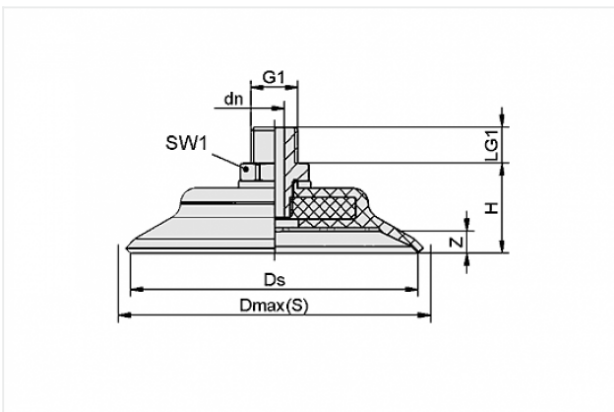
Homepage > Vacuum Technology for Automation > Vacuum Components > Vacuum Suction Cups > Flat Suction Cups (Round) > Flat Suction Cups
PFYN > PFYN 60 FPM-65 G1/4-AG

Flat suction cup (round) for smooth or slightly rough surfaces



Size: 60
Suction cup material:
Fluorocautchuc FPM
Material hardness: 65 °Sh
Material property: imprint-free
Nipple material: Aluminium
Vacuum connection: G1/4-M

Design Data



Attribute	Value
dn	5.5 mm
Dmax(S)	64 mm
Ds	60 mm
G1	G1/4"-M
H	23 mm
LG1	10 mm
SW1	17 mm
Z	4.7 mm

Technical Data

Contact to Schmalz

J. Schmalz GmbH | Johannes-Schmalz-Straße, 72293 Glatten, Deutschland | +49 7443 2403-102 |
customercenter@schmalz.de

Attribute	Value
Suction force	125 N
Volume	10 cm ³
Curve radius (min) (convex)	100 mm
Internal hose diameter (recom.)	6 mm
Size	60
Number of folds	0
Suction cup material	Fluorocaoutchuc FPM
Material hardness	65 °Sh
Weight	41 g
Product family	PFYN

Note:

- Suction force: The specified suction forces are theoretical values at a vacuum of -0.6 bar and with a smooth, dry workpiece surface - they do not include a safety factor
- Hose diameter: The recommended hose diameter refers to a hose length of approx. 2 m

Spare Parts



SA-NIP N009 G1/4-AG

Part no. 10.01.01.10097

Suction-pad connection nipple pre-assembly

Nipple: N 009

Thread 1: G1/4-M

Length: 5 mm

for: Flat suction pad PFG



PFG 60 FPM-65 N009 M10x1.25-IG

Part no. 10.01.01.00078

Flat suction cup (round) for smooth or slightly rough surfaces

Size: 60

Suction cup material:

Fluorocautchuc FPM

Material hardness: 65 °Sh

Connection thread: M10x1.25-F

Material property: imprint-free

Accessories



SU 60

Part no. 10.01.01.13585

Cover for suction cup

Size: 60

Temperature resistance: 80 °C