

Flat suction cup (round)

<https://www.schmalz.com/10.01.01.00119>



PFYN 50 PU-55 G1/8-IG

Part no.: 10.01.01.00119

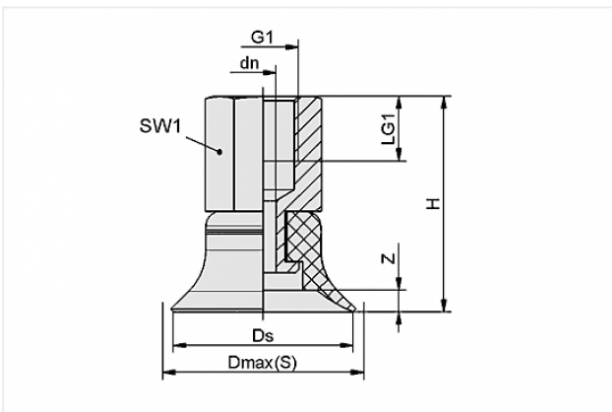
Homepage > Vacuum Technology for Automation > Vacuum Components > Vacuum Suction Cups > Flat Suction Cups (Round) > PFYN 50 PU-55 G1/8-IG

Flat suction cup (round) for smooth or slightly rough surfaces



Size: 50
Suction cup material: Polyurethane PU
Material hardness: 55 °Sh
Nipple material: Aluminium
Vacuum connection: G1/8-F

Design Data



Attribute	Value
dn	3.5 mm
Dmax(S)	53.5 mm
Ds	50 mm
G1	G1/8"-F
H	31 mm
LG1	9 mm
SW1	14 mm
Z	4 mm

Technical Data

Contact to Schmalz

J. Schmalz GmbH | Johannes-Schmalz-Straße, 72293 Glatten, Deutschland | +49 7443 2403-102 | customercenter@schmalz.de

Attribute	Value
Suction force	91 N
Volume	7 cm ³
Curve radius (min) (convex)	75 mm
Internal hose diameter (recom.)	4 mm
Size	50
Number of folds	0
Suction cup material	Polyurethane PU
Material hardness	55 °Sh
Weight	17.3 g
Product family	PFYN

Spare Parts



SA-NIP N008 G1/8-IG DN350

Part no. 10.01.01.03524

Suction cup connection nipple

Nipple: N 008

Thread G1: G1/8-F

Overall length: 25 mm

Fitting length: 16 mm

Nominal size: 3,50 mm

Material: Aluminium

Spanner size SW2: 4 mm



PFG 50 PU-55 N008

Part no. 10.01.01.00057

Flat suction cup (round) for smooth or slightly rough surfaces

Size: 50

Suction cup material: Polyurethane PU

Material hardness: 55 °Sh

Accessories



SU 50

Part no. 10.01.01.12837

Cover for suction cup

Size: 50

Clamping range: 45.0 ... 60.0 mm

Temperature resistance: 80 °C