

# Flat suction cup (round)

<https://www.schmalz.com/10.01.01.10390>



PFYN 50 NBR-AS-55 G1/8-AG

Part no.: 10.01.01.10390

Homepage > Vacuum Technology for Automation > Vacuum Components > Vacuum Suction Cups > Flat Suction Cups (Round) > Flat Suction Cups

PFYN > PFYN 50 NBR-AS-55 G1/8-AG

## Flat suction cup (round) for smooth or slightly rough surfaces



Size: 50

Suction cup material:

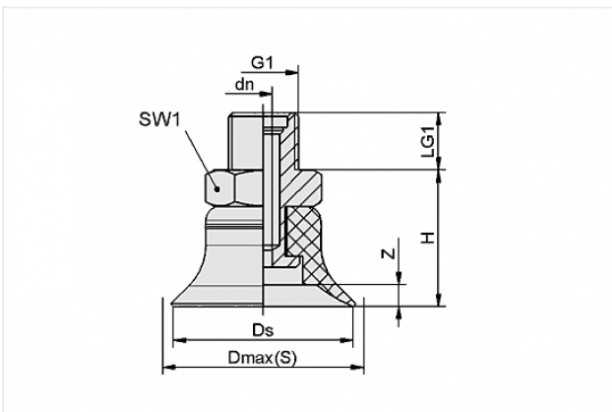
Nitrile rubber NBR-antistat

Material hardness: 55 °Sh

Nipple material: Aluminium

Vacuum connection: G1/8-M

### Design Data



Attribute	Value
-----------	-------

dn	2.4 mm
----	--------

Dmax(S)	53.5 mm
---------	---------

Ds	50 mm
----	-------

G1	G1/8"-M
----	---------

H	20 mm
---	-------

LG1	8 mm
-----	------

SW1	14 mm
-----	-------

Z	4 mm
---	------

### Technical Data

#### Contact to Schmalz

J. Schmalz GmbH | Johannes-Schmalz-Straße, 72293 Glatten, Deutschland | +49 7443 2403-102 | [customercenter@schmalz.de](mailto:customercenter@schmalz.de)

Attribute	Value
Suction force	91 N
Volume	7 cm <sup>3</sup>
Curve radius (min) (convex)	75 mm
Internal hose diameter (recom.)	4 mm
Size	50
Number of folds	0
Suction cup material	Nitrile rubber NBR-antistat
Material hardness	55 °Sh
Weight	15.3 g
Product family	PfYN

**Note:**

- Suction force: The specified suction forces are theoretical values at a vacuum of -0.6 bar and with a smooth, dry workpiece surface - they do not include a safety factor
- Hose diameter: The recommended hose diameter refers to a hose length of approx. 2 m

**Spare Parts**



**SA-NIP N008 G1/8-AG DN240**

Part no. 10.01.01.03532

Suction cup connection nipple

Nipple: N 008

Thread G1: G1/8"-M

Overall length: 22 mm

Fitting length: 5 mm

Nominal size: 2,40 mm

Material: Aluminium

Spanner size SW2: 4 mm



**PFG 50 NBR-AS-55 N008**

Part no. 10.01.01.10342

Flat suction cup (round) for smooth or slightly rough surfaces

Size: 50

Suction cup material:

Nitrile rubber NBR-antistat

Material hardness: 55 °Sh

**Accessories**



**SU 50**

Part no. 10.01.01.12837

Cover for suction cup

Size: 50

Clamping range: 45.0 ... 60.0 mm

Temperature resistance: 80 °C