

Spring plungers

FSTImc S M5-IG M5-IG 5 CO

Part no...:10.01.02.01686

<https://www.schmalz.com/10.01.02.01686>

Home > Vacuum Technology for Automation > Vacuum Components > Mounting Elements > Spring Plungers > Spring Plungers FSTImc > FSTImc S M5-IG M5-IG 5 CO

Spring plunger in cartridge design with internal damping spring and height compensation

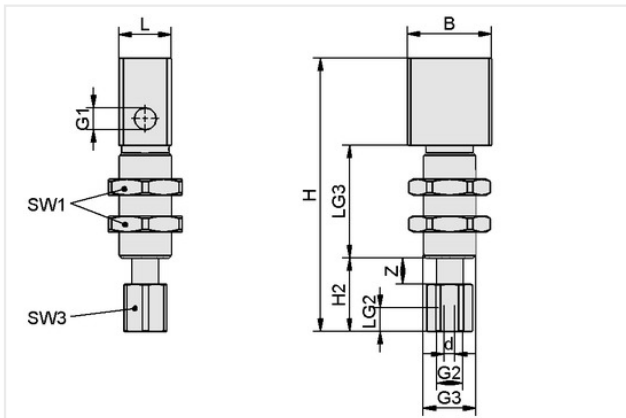


Suction cup connection: M5-F

Spring stroke Z: 5 mm

Shape mounting elements: conductive

Design Data



Attribute	Value
B	16 mm
d	2 mm
G1	M5-F
G2	M5-F
G3	M10x1-M
H	52 mm
H2	14 mm
L	10 mm
LG2	4.50 mm
LG3	21.50 mm
SW1	14 mm
SW3	8 mm
Z (Stroke)	5 mm

Technical Data

Attribute	Value
Shape mounting elements	conductive
Spring force, center	0.45 N
Spring rate	0.06 N/mm
Spring pretension	0.31 N

Contact Schmalz

J. Schmalz GmbH | Johannes-Schmalz-Str.1, D-72293 Glatten | +49 7443 2403-102 | customercenter@schmalz.de

Spring plungers

FSTImc S M5-IG M5-IG 5 CO

Part no...:10.01.02.01686

<https://www.schmalz.com/10.01.02.01686>

Horizontal load	1.50 N
Vertical load	15 N
Operating temperature	10 ... 45 °C
Weight	22.50 g

Accessories



STV-GE M5-AG 4

Part no...:10.08.02.00200

Thread G1: M5-M

Hose diameter: 4 mm

Material: Brass

Operating temperature: -20 ... 80 °C

External diameter D: 7.9 mm

Length L: 15 mm



STV-GE M5-AG 6

Part no...:10.08.02.00201

Thread G1: M5-M

Hose diameter: 6 mm

Material: Brass

Operating temperature: -20 ... 80 °C

External diameter D: 9.9 mm

Length L: 18.8 mm

Spring plungers

FSTImc S M5-IG M5-IG 5 CO

Part no...:10.01.02.01686

<https://www.schmalz.com/10.01.02.01686>



STV-W M5-AG 6

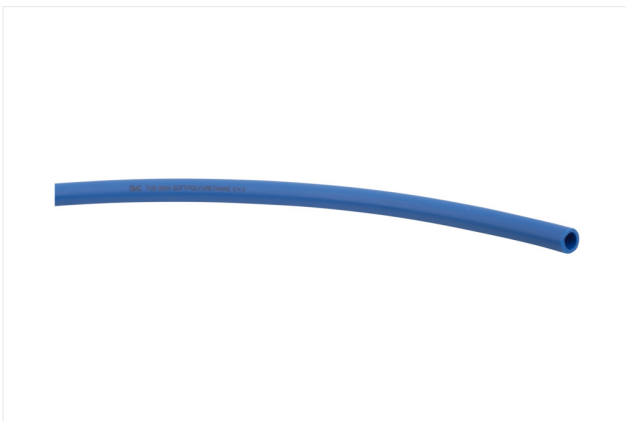
Part no...:10.08.02.00296

Pressure range (operating pressure): bar

Length L: 20.8 mm

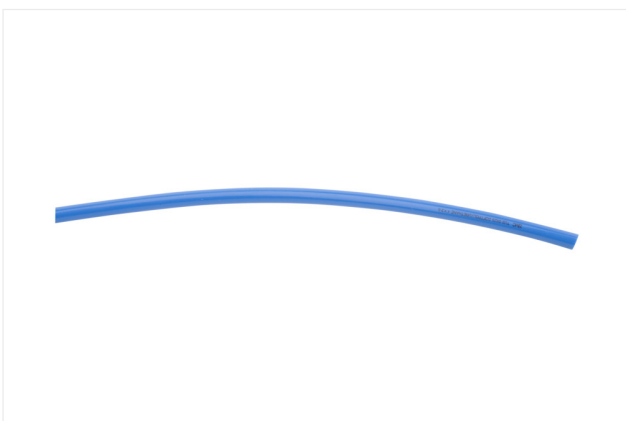
Height H: 13 mm

Thread G1: M5-M



VSL 6-4 PU SO

Part no...:10.07.09.00141



VSL 4-2.5 PU SO

Part no...:10.07.09.00142

Spring plungers

FSTImc S M5-IG M5-IG 5 CO

Part no...:10.01.02.01686

<https://www.schmalz.com/10.01.02.01686>



ST M5-AG 2.5 MS-V

Part no...:10.08.03.00312

Thread G1: M5-M

Material: Brass

Surface: nickel plated



ST M5-AG 4 MS-V

Part no...:10.08.03.00311

Thread G1: M5-M

Material: Brass

Surface: nickel plated



HTR-STA 47 1N D10/16 FL

Part no...:10.08.03.00085

Length L: 47 mm

Connection 1: Sliding block

Connection of suction cup, spring plunger: Contour D10 and D16

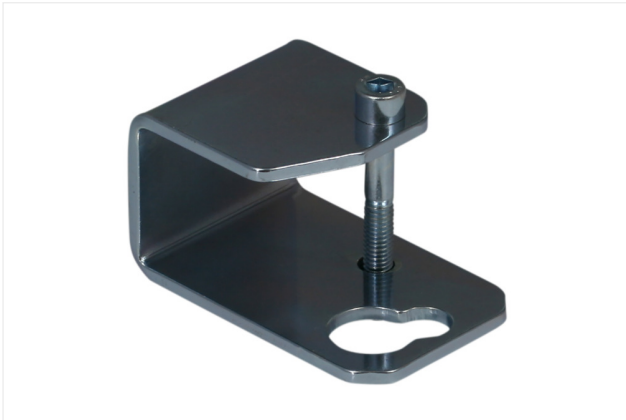
Shape: flat

Spring plungers

FSTImc S M5-IG M5-IG 5 CO

Part no...:10.01.02.01686

<https://www.schmalz.com/10.01.02.01686>



HTR-ST5 30x30 D10/16 WI

Part no...:10.08.03.00088

Connection 1: 30x30

Connection of suction cup, spring plunger: Contour D10 and D16

Shape: angled



HTR-ST5 40x40 D10/16 WI

Part no...:10.08.03.00089

Connection 1: 40x40

Connection of suction cup, spring plunger: Contour D10 and D16

Shape: angled