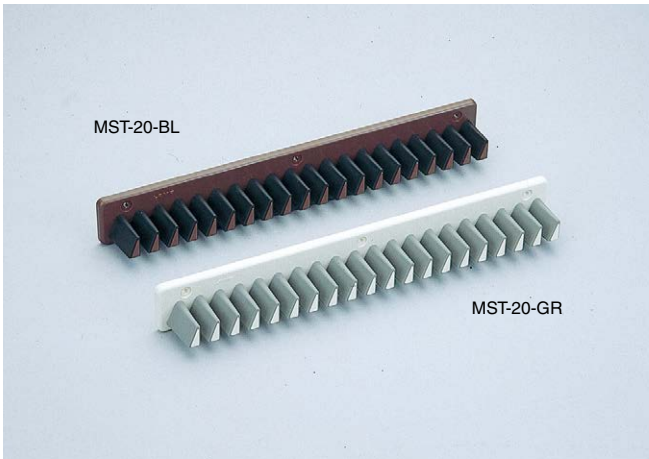


TIE RACK



MST-20

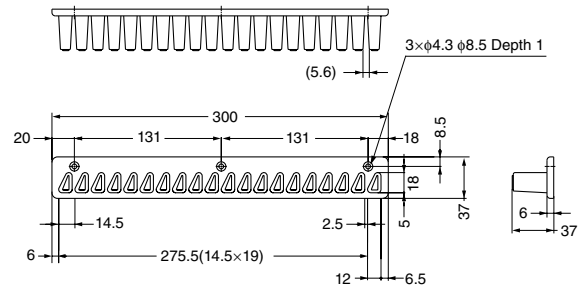


Features

2 ways of holding possible depending on tie thickness.

Parts Included

Binding head tapping screw 4 × 14 (SUS)



Application Example



| Part Name | Material        |
|-----------|-----------------|
| Body      | ABS             |
| Stopper   | Elastomer (TPE) |

| Item Code   | Item Name | Colour      | Load Capacity/position | Weight  | Box   | Carton           |
|-------------|-----------|-------------|------------------------|---------|-------|------------------|
| 110-025-304 | MST-20BL  | Brown+Black | 2.94 N                 | 0.3 kgf | 116 g | 10 pcs / 120 pcs |
| 110-025-305 | MST-20GR  | Ivory+Grey  | 2.94 N                 | 0.3 kgf | 116 g | 10 pcs / 120 pcs |

TIE RACK



TR



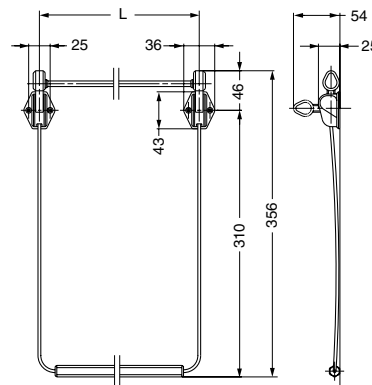
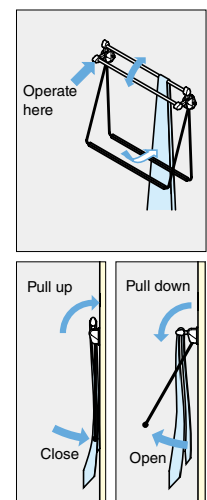
Features

Holding bar keeps the ties tidy.

Parts Included

Round head wood screw 3.1 × 16

How to Use



| Item Code   | Item Name | Material                                  | Colour/Finish | L   | Weight | Box    | Carton |
|-------------|-----------|---|---------------|-----|--------|--------|--------|
| 110-020-110 | TR-300    | Polyamide (PA) and Polyacetal (POM)/Steel | Brown/Chrome  | 300 | 190 g  | 10 pcs | 80 pcs |
| 110-020-111 | TR-350    | Polyamide (PA) and Polyacetal (POM)/Steel | Brown/Chrome  | 350 | 210 g  | 10 pcs | 80 pcs |
| 110-020-112 | TR-400    | Polyamide (PA) and Polyacetal (POM)/Steel | Brown/Chrome  | 400 | 243 g  | 10 pcs | 80 pcs |

\*Limited stock available Please contact your vendor.

