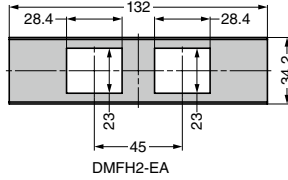
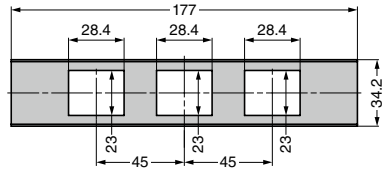


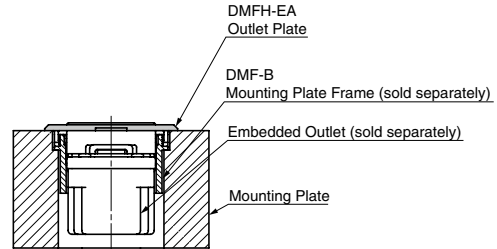
DMFH1-EA



DMFH2-EA



DMFH3-EA



Cross-section View of Installation

## DMF/DMFH MOUNTING PLATE FRAME

INSTRUCTION

## DMF-B



### Features

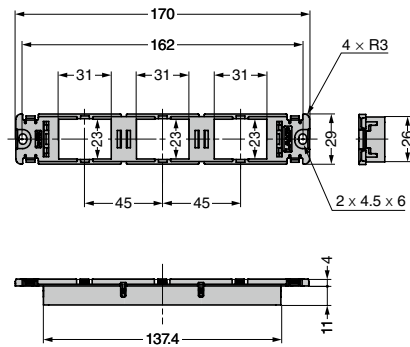
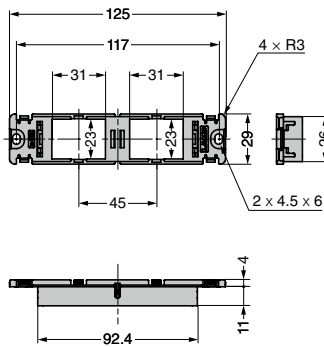
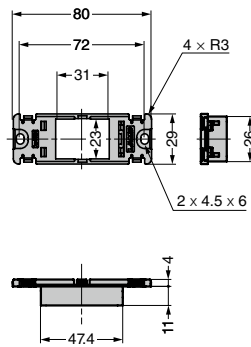
This mounting plate frame enables one-touch installation of an embedded outlet, USB outlet, LAN connector or USB connector on the DMF or DMFH outlet plate.

### Remarks

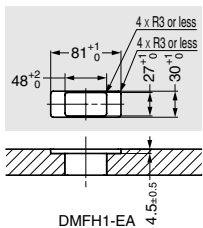
- Stepped cutting is required when mounting the DMFH outlet plate.
- The outlet must be installed by a qualified electrician.

### Parts Included

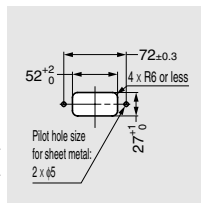
Size 4 x 16 cross-recessed binding head tapping screws



### Cut Out Dimensions

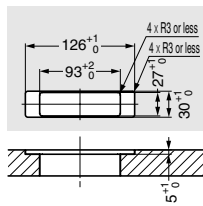


DMFH1-EA

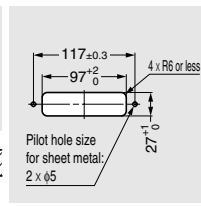


DMF1-ES

### Cut Out Dimensions

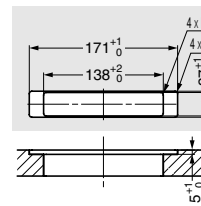


DMFH2-EA

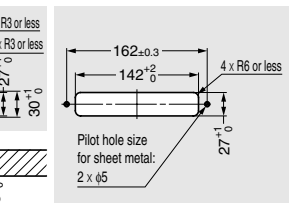


DMF2-ES

### Cut Out Dimensions



DMFH3-EA



DMF3-ES

DMF1-B

DMF2-B

DMF3-B

CAD	Item Code	Item Name	Material	No. of Ports	Box (pcs)	Carton (pcs)
	210-040-776	DMF1-B	PPE Resin	1 outlet	40	400
	210-040-777	DMF2-B		2 outlets	25	250
	210-040-778	DMF3-B		3 outlets	20	200