

OUTLET PLATE (RECESSED TYPE)

DMFH-EA



Minimalist, utilitarian design. Reduced shine finish allows for easy integration into a wide range of interiors.

Features

- A recessed outlet plate.
- Slim 1.5 mm design fits neatly into the installation surface.
- A mounting plate frame (sold separately) is required when mounting.
- See the Compatibility Table for details on products that can be combined.
- Designed with a flange to cover the edge when installing.

Application

Hotel rooms, walls, bathroom vanities, designer furniture, fittings, etc.

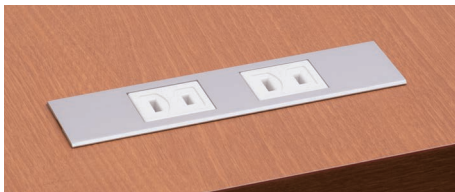
Remarks

Stepped cutting is required when mounting.

Warning

Embedded outlets and power supplies have been built according to Japanese electrical standards. They will NOT function outside of Japan.

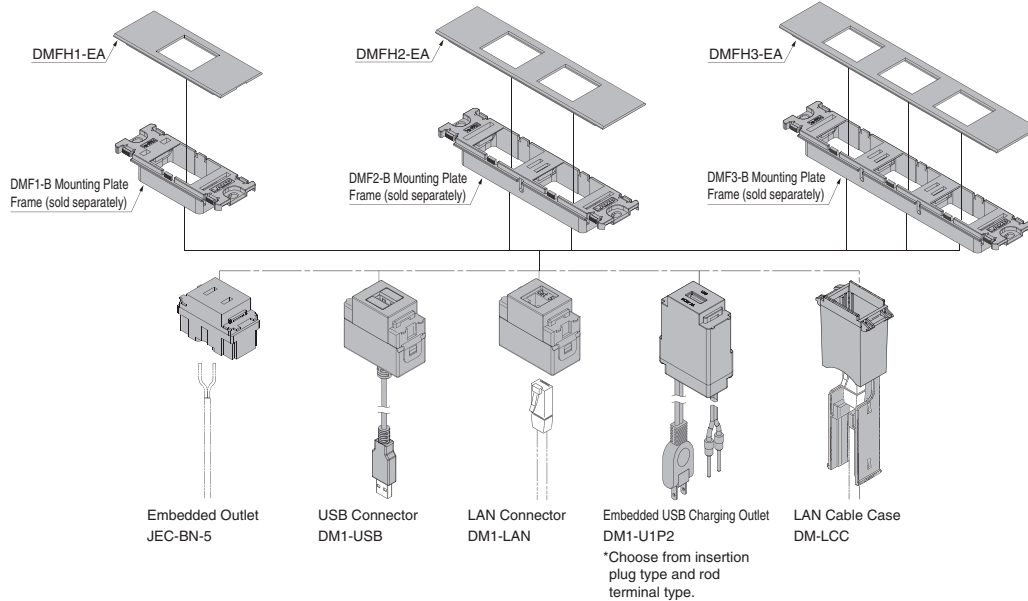
*Outlet and connector sold separately.



Slim Design

The thickness is 1.5 mm when installed.

Sample Combination



1 outlet

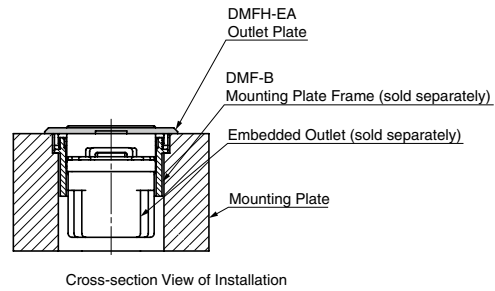
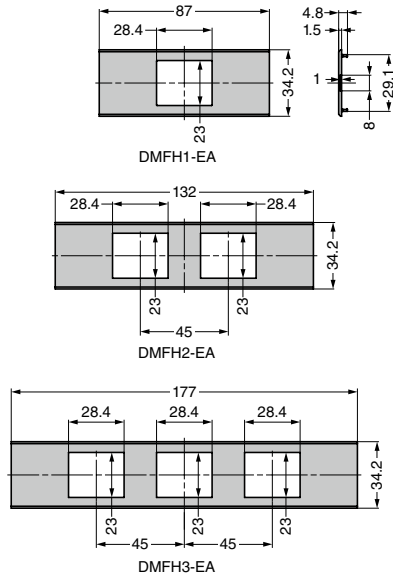
CAD	Item Code	Item Name	Finish/Colour	Material	Weight (g)	No. of Ports	Box (pcs)	Carton (pcs)
	210-040-764	DMFH1-EA-SL	Anodised/Silver	Aluminium Alloy	10.2	1 outlet	40	1000
	210-040-767	DMFH1-EA-BL	Anodised/Black					
	210-040-773	DMFH1-EA-DBR	Anodised/Dark Brown					
	210-040-770	DMFH1-EA-WT	White Enamel Finish					

2 outlets

CAD	Item Code	Item Name	Finish/Colour	Material	Weight (g)	No. of Ports	Box (pcs)	Carton (pcs)
	210-040-765	DMFH2-EA-SL	Anodised/Silver	Aluminium Alloy	14.4	2 outlets	25	600
	210-040-768	DMFH2-EA-BL	Anodised/Black					
	210-040-774	DMFH2-EA-DBR	Anodised/Dark Brown					
	210-040-771	DMFH2-EA-WT	White Enamel Finish					

3 outlets

CAD	Item Code	Item Name	Finish/Colour	Material	Weight (g)	No. of Ports	Box (pcs)	Carton (pcs)
	210-040-766	DMFH3-EA-SL	Anodised/Silver	Aluminium Alloy	18.6	3 outlets	20	1000
	210-040-769	DMFH3-EA-BL	Anodised/Black					
	210-040-775	DMFH3-EA-DBR	Anodised/Dark Brown					
	210-040-772	DMFH3-EA-WT	White Enamel Finish					



DMF/DMFH MOUNTING PLATE FRAME

INSTRUCTION

DMF-B



Features

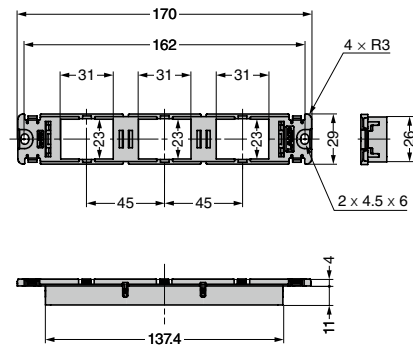
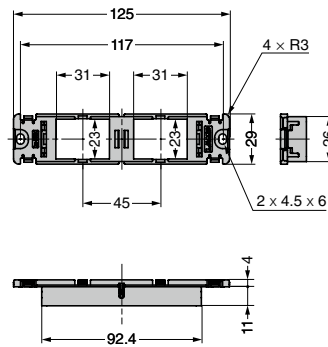
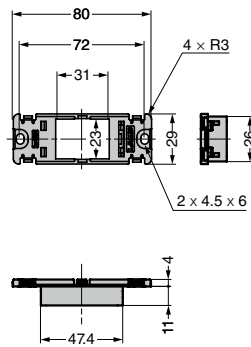
This mounting plate frame enables one-touch installation of an embedded outlet, USB outlet, LAN connector or USB connector on the DMF or DMFH outlet plate.

Remarks

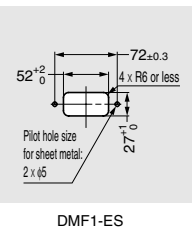
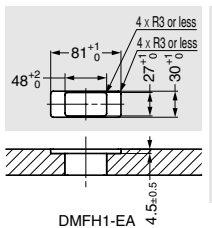
- Stepped cutting is required when mounting the DMFH outlet plate.
- The outlet must be installed by a qualified electrician.

Parts Included

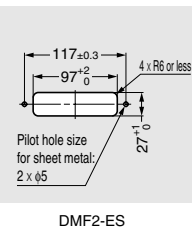
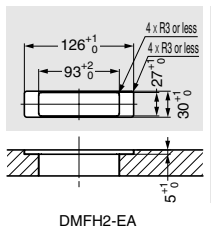
Size 4 x 16 cross-recessed binding head tapping screws



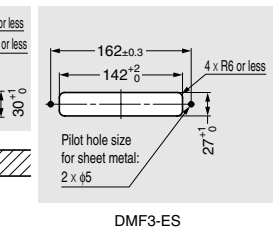
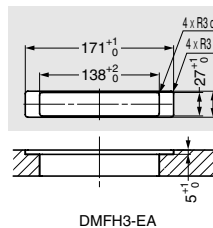
Cut Out Dimensions



Cut Out Dimensions



Cut Out Dimensions



DMFH1-EA

DMFH1-ES

DMFH2-EA

DMFH2-ES

DMFH3-EA

DMFH3-ES

DMF1-B

DMF2-B

DMF3-B

CAD	Item Code	Item Name	Material	No. of Ports	Box (pcs)	Carton (pcs)
	210-040-776	DMF1-B	PPE Resin	1 outlet	40	400
	210-040-777	DMF2-B		2 outlets	25	250
	210-040-778	DMF3-B		3 outlets	20	200