

CONNECTING PART

4063A



Features

- Can be installed on many different materials including particle board, plastic, veneer and plywood.
- Useful for installation to thin surfaces like cupboards, product shelves and shelves.
- Special shoulder screw (sold separately) holds joint firmly and prevents slipping.

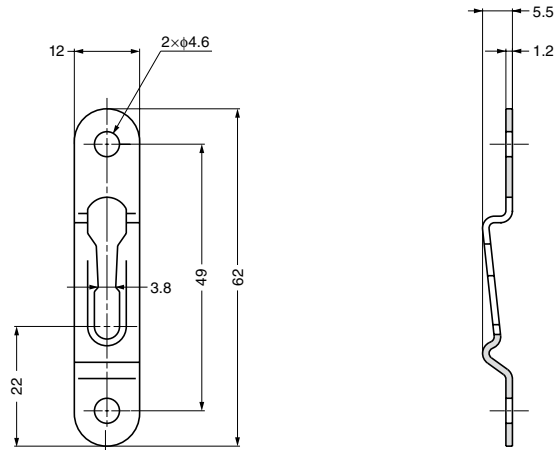
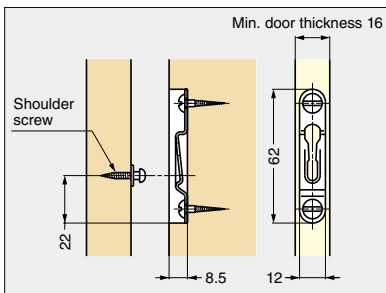
Sold Separately

Shoulder screw (P.193)

Remarks

1 pack includes 350 pieces

Installation



Item Code	Item Name	Material	Finish	Weight	Box	Carton
120-033-281	4063A-P350	Steel	Yellow Zinc Chromate	5.2 g	1 pack	10 packs

CONNECTING PART

5063



Features

- Strong clip that is highly resistant to distortion and warping.
- Easy to attach and detach clip using special should screw (sold separately).

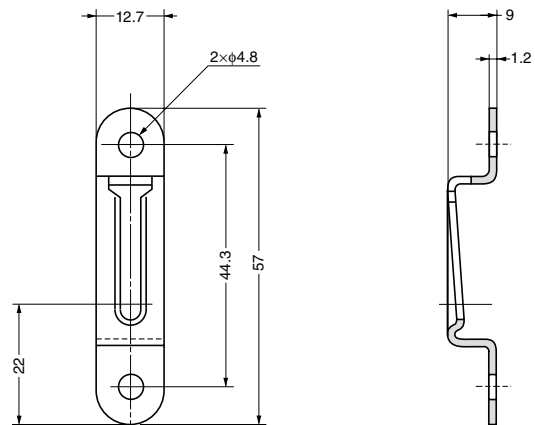
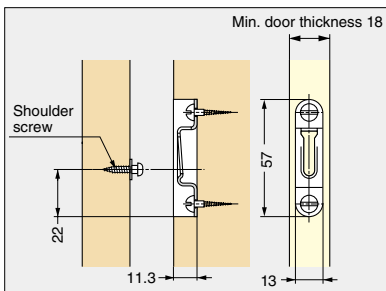
Sold Separately

Shoulder screw (P.193)

Remarks

1 pack includes 300 pieces

Installation



Item Code	Item Name	Material	Finish	Weight	Box	Carton
120-038-032	5063-P300	Steel	Black	5.9 g	1 pack	6 packs