

LIFT-ASSIST HINGE HG-PA202 Outside Back Mount

INSTRUCTION

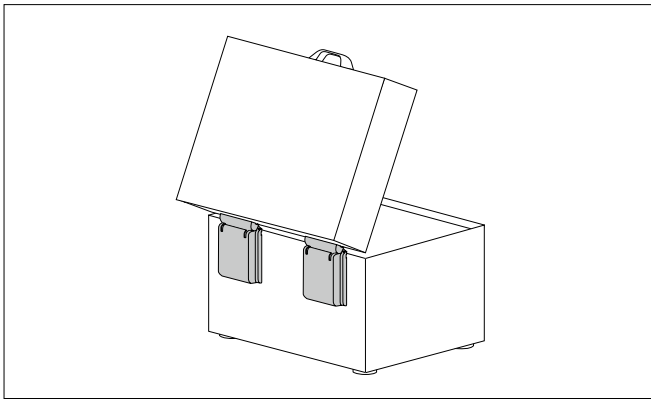


- Easy to lift heavy top-opening lids due to spring tension. (Lift-assist)
- The built-in damper prevents lids from slamming shut. (Soft-close)
- Torque is adjustable by turning the adjustment screw. ($\pm 5\%$)
- Comes with a cover to hide the mounting screws.
- Designed for use under the condition that lid's centre of gravity is at a higher position than the rotational centre. (The angle of torque peak is about 20° .)

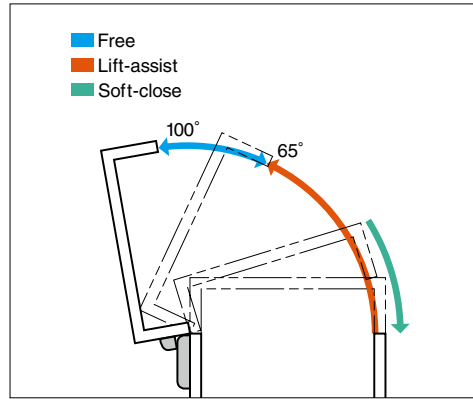
[Remarks]

- Be sure to read the "Cautions" **1**.
- Please make sure that the lid will not fall backward when fully opened.

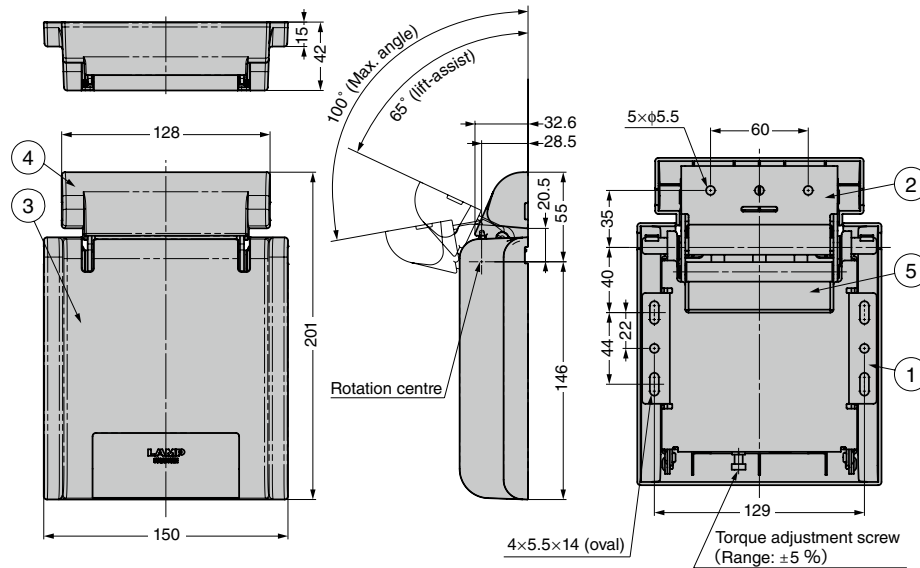
[Outside Back Mount]



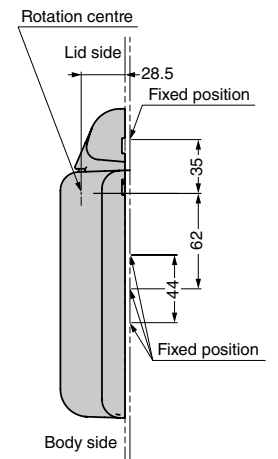
[Operating Range]



S Selection Tool
Sasuga-kun
Applicable Products
Used for Product Selection & Simulation.
Available online!



[Installation]



No.	Part Name	Material/Colour
①	Base A	Stainless Steel (SUS304)
②	Base B	
③	Cover A	PBT/
④	Cover B	Light Grey
-	Slider	POM
-	Spring	Steel (SWO)

RoHS	CAD	Item Code	Item Name	Torque N·m	Torque kgf·cm	Weight (g)	Box (pcs)	Carton (pcs)
		170-045-365	HG-PA202-15	15 $\pm 10\%$	153 $\pm 10\%$	1385	1	8
		170-045-366	HG-PA202-20	20 $\pm 10\%$	204 $\pm 10\%$		1	8
		170-045-367	HG-PA202-25	25 $\pm 10\%$	255 $\pm 10\%$		1	8

Refer to **1** : No.280 P.15