

Flat suction cup (round)

<https://www.schmalz.com/10.01.01.00188>



PFYN 40 FPM-65 G1/8-AG

Part no.: 10.01.01.00188

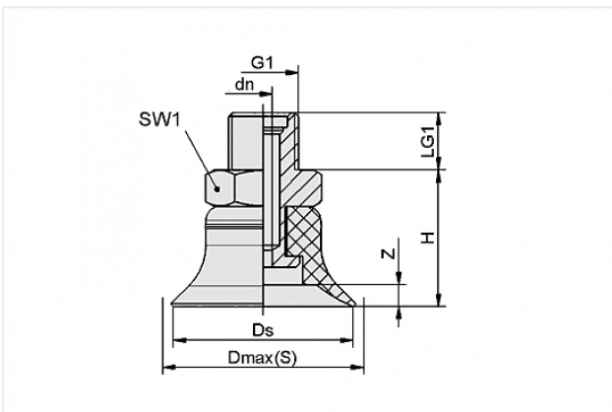
Homepage > Vacuum Technology for Automation > Vacuum Components > Vacuum Suction Cups > Flat Suction Cups (Round) > Flat Suction Cups
PFYN > PFYN 40 FPM-65 G1/8-AG

Flat suction cup (round) for smooth or slightly rough surfaces



Size: 40
Suction cup material:
Fluorocautchuc FPM
Material hardness: 65 °Sh
Material property: imprint-free
Nipple material: Aluminium
Vacuum connection: G1/8-M

Design Data



Attribute	Value
dn	2.4 mm
Dmax(S)	43 mm
Ds	40 mm
G1	G1/8"-M
H	19 mm
LG1	8 mm
SW1	14 mm
Z	3.5 mm

Technical Data

Contact to Schmalz

J. Schmalz GmbH | Johannes-Schmalz-Straße, 72293 Glatten, Deutschland | +49 7443 2403-102 |
customercenter@schmalz.de

Attribute	Value
Suction force	57.7 N
Volume	3.8 cm ³
Curve radius (min) (convex)	50 mm
Internal hose diameter (recom.)	4 mm
Size	40
Number of folds	0
Suction cup material	Fluorocautchuc FPM
Material hardness	65 °Sh
Weight	14.7 g
Product family	PFYN

Note:

- Suction force: The specified suction forces are theoretical values at a vacuum of -0.6 bar and with a smooth, dry workpiece surface - they do not include a safety factor
- Hose diameter: The recommended hose diameter refers to a hose length of approx. 2 m

Spare Parts



SA-NIP N007 G1/8-AG DN240

Part no. 10.01.01.03531

Suction cup connection nipple

Nipple: N 007

Thread G1: G1/8-M

Overall length: 21.5 mm

Fitting length: 5 mm

Nominal size: 2,40 mm

Material: Aluminium

Spanner size SW2: 4 mm

**PFG 40 FPM-65 N007**

Part no. 10.01.01.00076

Flat suction cup (round) for smooth or slightly rough surfaces

Size: 40

Suction cup material:

Fluorocautchuc FPM

Material hardness: 65 °Sh

Material property: imprint-free

Accessories**SU 40**

Part no. 10.01.01.12856

Cover for suction cup

Size: 40

Clamping range: 35.0 ... 45.0 mm

Temperature resistance: 80 °C