

# Flat suction cup (round)

<https://www.schmalz.com/10.01.01.00159>



PFYN 35 SI-55 G1/8-AG

Part no.: 10.01.01.00159

Homepage > Vacuum Technology for Automation > Vacuum Components > Vacuum Suction Cups > Flat Suction Cups (Round) > Flat Suction Cups

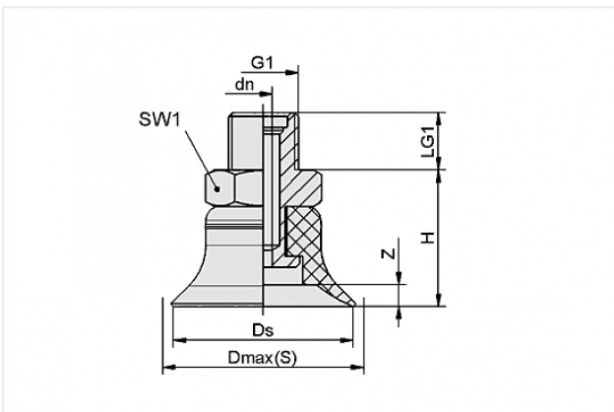
PFYN > PFYN 35 SI-55 G1/8-AG

## Flat suction cup (round) for smooth or slightly rough surfaces



Size: 35  
Suction cup material: Silicone SI  
Material hardness: 55 °Sh  
Material characteristics:  
FDA-compatible  
Nipple material: Aluminium  
Vacuum connection: G1/8-M

### Design Data



Attribute	Value
dn	2.4 mm
Dmax(S)	38 mm
Ds	35 mm
G1	G1/8"-M
H	19 mm
LG1	8 mm
SW1	14 mm
Z	3 mm

### Technical Data

#### Contact to Schmalz

J. Schmalz GmbH | Johannes-Schmalz-Straße, 72293 Glatten, Deutschland | +49 7443 2403-102 | [customercenter@schmalz.de](mailto:customercenter@schmalz.de)

Attribute	Value
Suction force	44 N
Volume	2.7 cm <sup>3</sup>
Curve radius (min) (convex)	50 mm
Internal hose diameter (recom.)	4 mm
Size	35
Number of folds	0
Suction cup material	Silicone SI
Material hardness	55 °Sh
Weight	10.6 g
Product family	PFYN

**Note:**

- Suction force: The specified suction forces are theoretical values at a vacuum of -0.6 bar and with a smooth, dry workpiece surface - they do not include a safety factor
- Hose diameter: The recommended hose diameter refers to a hose length of approx. 2 m

**Spare Parts**



**SA-NIP N007 G1/8-AG DN240**

Part no. 10.01.01.03531

Suction cup connection nipple

Nipple: N 007

Thread G1: G1/8-M

Overall length: 21.5 mm

Fitting length: 5 mm

Nominal size: 2,40 mm

Material: Aluminium

Spanner size SW2: 4 mm

**PFG 35 SI-55 N007**

Part no. 10.01.01.00035

Flat suction cup (round) for smooth or slightly rough surfaces

Size: 35

Suction cup material: Silicone SI

Material hardness: 55 °Sh

Material characteristics:

FDA-compatible

**Accessories****SU 30**

Part no. 10.01.01.12889

Cover for suction cup

Size: 30

Clamping range: 27.0 ... 35.0 mm

Temperature resistance: 80 °C