

# Flat suction cup (round)

<https://www.schmalz.com/10.01.01.00117>



PFYN 35 PU-55 G1/8-IG

Part no.: 10.01.01.00117

Homepage > Vacuum Technology for Automation > Vacuum Components > Vacuum Suction Cups > Flat Suction Cups (Round) > Flat Suction Cups

PFYN > PFYN 35 PU-55 G1/8-IG

## Flat suction cup (round) for smooth or slightly rough surfaces



Size: 35

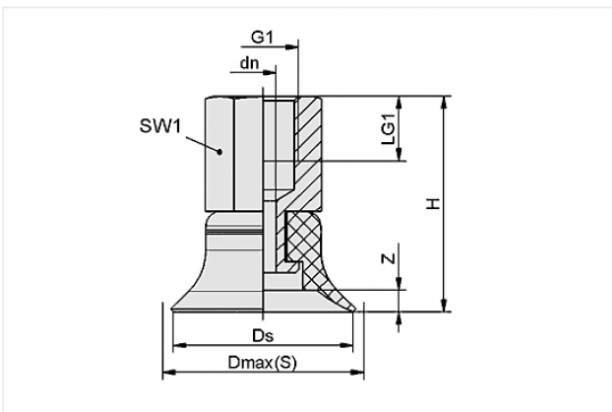
Suction cup material: Polyurethane PU

Material hardness: 55 °Sh

Nipple material: Aluminium

Vacuum connection: G1/8-F

### Design Data



Attribute	Value
-----------	-------

dn	3.5 mm
----	--------

Dmax(S)	38 mm
---------	-------

Ds	35 mm
----	-------

G1	G1/8"-F
----	---------

H	30 mm
---	-------

LG1	9 mm
-----	------

SW1	14 mm
-----	-------

Z	3 mm
---	------

### Technical Data

#### Contact to Schmalz

J. Schmalz GmbH | Johannes-Schmalz-Straße, 72293 Glatten, Deutschland | +49 7443 2403-102 | [customercenter@schmalz.de](mailto:customercenter@schmalz.de)

Attribute	Value
Suction force	44 N
Volume	2.7 cm <sup>3</sup>
Curve radius (min) (convex)	50 mm
Internal hose diameter (recom.)	4 mm
Size	35
Number of folds	0
Suction cup material	Polyurethane PU
Material hardness	55 °Sh
Weight	11.9 g
Product family	PFYN

**Note:**

- Suction force: The specified suction forces are theoretical values at a vacuum of -0.6 bar and with a smooth, dry workpiece surface - they do not include a safety factor
- Hose diameter: The recommended hose diameter refers to a hose length of approx. 2 m

**Spare Parts**



**SA-NIP N007 G1/8-IG DN350**

Part no. 10.01.01.03523

Suction cup connection nipple

Nipple: N 007

Thread G1: G1/8-F

Overall length: 24.5 mm

Fitting length: 16 mm

Nominal size: 3,50 mm

Material: Aluminium

Spanner size SW2: 4 mm

**PFG 35 PU-55 N007**

Part no. 10.01.01.00055

Flat suction cup (round) for smooth or slightly rough surfaces

Size: 35

Suction cup material: Polyurethane PU

Material hardness: 55 °Sh

**Accessories****SU 30**

Part no. 10.01.01.12889

Cover for suction cup

Size: 30

Clamping range: 27.0 ... 35.0 mm

Temperature resistance: 80 °C