

Robots-Set ECBPM

ROB-SET VISION ECBPi RC-160 IP UR

Part no.:10.01.50.00011

<https://www.schmalz.com/10.01.50.00011>

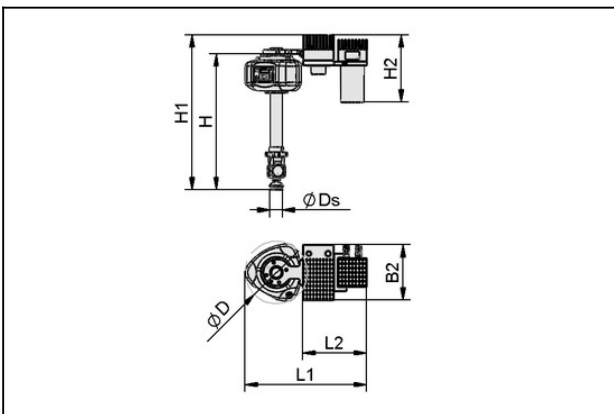
Homepage > Vacuum Technology for Automation > Vacuum Components > Vacuum Generators > Electrical Vacuum Generators > Vision & Handling Sets 3D-R > ROB-SET VISION ECBPi RC-160 IP UR

Complete set for connecting and integrating the CobotPump ECBPi to lightweight robots



Construction: Vision
 for: CobotPump
 with: RC-Visard 160
 with: ItemPick
 for: Universal Robots
 Construction: stationary use

Design Data



Attribute	Value
B2	230 mm
D	260 mm
H	330 mm
H1	365 mm
H2	130 mm
L2	158 mm
L1	299 mm

Technical Data

Attribute	Value
for	Universal Robots

Contact to Schmalz

Robots-Set ECBPM

ROB-SET VISION ECBPi RC-160 IP UR

Part no.:10.01.50.00011

<https://www.schmalz.com/10.01.50.00011>



Attribute	Value
Construction	VISION
