

# Flat suction cup (round)

<https://www.schmalz.com/10.01.01.00187>



## PFYN 35 FPM-65 G1/8-AG

Part no.: 10.01.01.00187

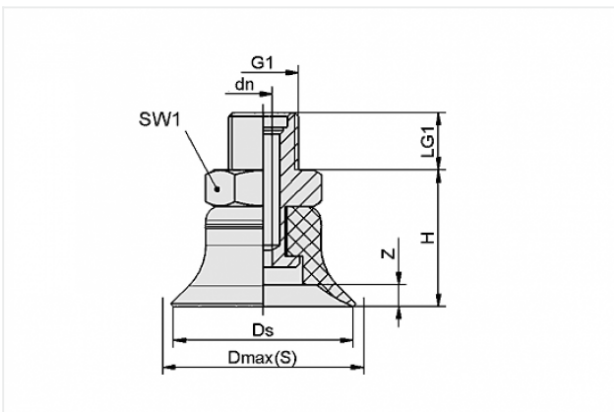
Homepage > Vacuum Technology for Automation > Vacuum Components > Vacuum Suction Cups > Flat Suction Cups (Round) > Flat Suction Cups  
PFYN > PFYN 35 FPM-65 G1/8-AG

### Flat suction cup (round) for smooth or slightly rough surfaces



Size: 35  
Suction cup material:  
Fluorocautchuc FPM  
Material hardness: 65 °Sh  
Material property: imprint-free  
Nipple material: Aluminium  
Vacuum connection: G1/8-M

### Design Data



Attribute	Value
Ds	35 mm
G1	G1/8"-M

### Technical Data

Attribute	Value
Suction force	44 N
Size	35

### Contact to Schmalz

J. Schmalz GmbH | Johannes-Schmalz-Straße, 72293 Glatten, Deutschland | +49 7443 2403-102 |  
customercenter@schmalz.de

Attribute	Value
Number of folds	0
Suction cup material	Fluorocaoutchuc FPM
Material hardness	65 °Sh
Weight	13.3 g
Product family	PFYN

**Note:**

- Suction force: The specified suction forces are theoretical values at a vacuum of -0.6 bar and with a smooth, dry workpiece surface - they do not include a safety factor
- Hose diameter: The recommended hose diameter refers to a hose length of approx. 2 m

**Spare Parts**



**SA-NIP N007 G1/8-AG DN240**

Part no. 10.01.01.03531

Suction cup connection nipple

Nipple: N 007

Thread G1: G1/8-M

Overall length: 21.5 mm

Fitting length: 5 mm

Nominal size: 2,40 mm

Material: Aluminium

Spanner size SW2: 4 mm



**PFG 35 FPM-65 N007**

Part no. 10.01.01.00075

Flat suction cup (round) for smooth or slightly rough surfaces

Size: 35

Suction cup material:

Fluorocaoutchuc FPM

Material hardness: 65 °Sh

Material property: imprint-free

## Accessories



### **SU 30**

Part no. 10.01.01.12889

Cover for suction cup

Size: 30

Clamping range: 27.0 ... 35.0 mm

Temperature resistance: 80 °C