

LAN CABLE CASE

DM-LCC



Features

- A LAN cable case that can be mounted to the outlet covers or plates of furniture.
- Interior LAN cable storage eliminates the trouble of individual cable management.

Specifications

- Compatible cable sizes

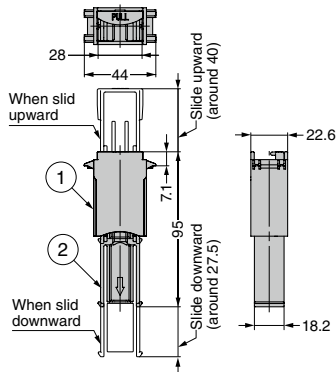
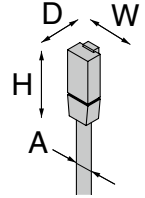
A = Maximum 7 mm

H = Maximum 40 mm

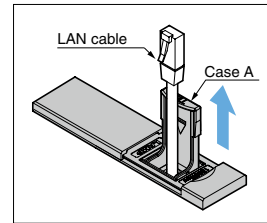
W = 8 - 18 mm

D = 8 - 10 mm

Cables other than LAN cables, if within these size ranges, can also be used.

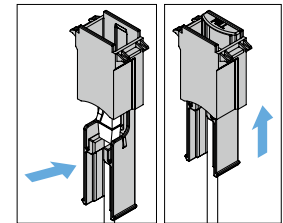


How to Use the LAN Cable Case



LAN cables can be pulled out by pulling on Case A in the LAN cable case.

How to Install the LAN Cable Case



Thread the LAN cable through the case and push the case up.

No.	Part Name	Material	Colour
①	Bracket	PBT Resin	Black
②	Inner Case		

CAD	Item Code	Item Name	Weight (g) / pc	Box (pcs)	Carton (pcs)
-	210-026-389	DM-LCC	28	100	400

MISCELLANEOUS

LAN CABLE CASE