

USB CONNECTOR

DM1-USB



Connector end

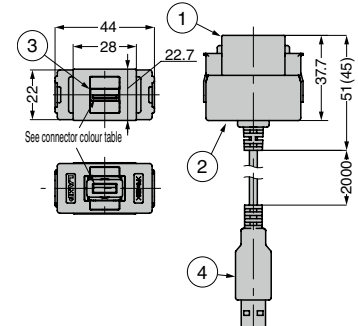


Features

- A USB connector for data communication. See the Compatibility Table for details on products to which it can be mounted.
- The cable is 2 m long.
- The USB2.0 type supports a maximum of 1A and the USB3.0 type supports a maximum of 3A.

Remarks

- This product is not guaranteed to charge all devices that can be connected to a USB connector.
- Communication speed depends on the performance of the connector and cable.



*The brackets indicate the dimensions of the USB2.0.

No.	Part Name	Material	Colour
①	Upper Cover	Polycarbonate (PC) + ABS Resin	Black, White
②	Lower Cover		Black
③	USB Holder	-	Black, White
④	USB Extension Cable	-	-

CAD	Item Code	Item Name	Colour	Standard	Connector Colour	Connector Shape (front)	Connector Shape (end)	Weight	Transmission Speed Mbps	Recommended Transmission Distance	Box (pcs)	Carton (pcs)
2D/3D	210-036-444	DM1-USB20-BL	Black	USB2.0	White	Female type A	Male type A	70	480	Maximum 5 m	10	100
2D/3D	210-036-813	DM1-USB20-WT	White								10	100
2D/3D	210-036-445	DM1-USB30-BL	Black	USB3.0	Blue			100	5000	Maximum 3 m	10	100
2D/3D	210-036-814	DM1-USB30-WT	White								10	100

LAN CONNECTOR

DM1-LAN



Back



Features

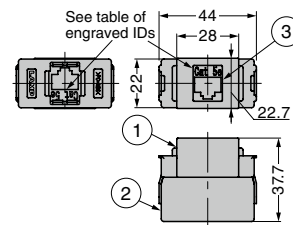
A LAN connector for data communication. See the Compatibility Table for details on products to which it can be mounted.

Specifications

- Compatible cable standards: 10G-BASE-T (supports Cat6a)/1000BASE-TX (supports Cat6)/1000BASE-T/100BASE-TX/10BASE-T (supports Cat5e)
- Compatible cables: UTP/STP cables with RJ45 connector

Remarks

Communication speed depends on the performance of the connector and cable.



No.	Part Name	Material	Colour
①	Upper Cover	Polycarbonate (PC) + ABS Resin	Black, White
②	Lower Cover		Black
③	LAN Extension Connector	-	-

CAD	Item Code	Item Name	Colour	Standard	Engraved ID	Connector Shape (front and back)	Weight	Transmission Speed Mbps	Transmission Band (MHz)	Box (pcs)	Carton (pcs)	
2D/3D	210-036-446	DM1-LAN5E-BL	Black	Cat5e	Cat5e	RJ45	20	1000	100	20	200	
2D/3D	210-036-815	DM1-LAN5E-WT	White							20	200	
2D/3D	210-036-447	DM1-LAN6-BL	Black	Cat6	Cat6				1000	250	20	200
2D/3D	210-036-816	DM1-LAN6-WT	White								20	200
2D/3D	210-036-448	DM1-LAN6A-BL	Black	Cat6a	10G			10000	500	20	200	
2D/3D	210-036-817	DM1-LAN6A-WT	White							20	200	