

OUTLET COVER

INSTRUCTION

DMC3



*Outlet and connector sold separately.

Features

- An outlet cover for devices and furniture. An embedded outlet, USB outlet, USB connector, LAN connector or LAN cable case (all sold separately) can be mounted to this product.
- See the Compatibility Table for details on products that can be mounted.
- Can be mounted to a horizontal or vertical surface.
- Flat, clean design with thickness of just 7 mm.
- The cover is made from PBT resin for outstanding chemical resistance.
- Comes with a self-closing cover to keep out dust.

Specifications

Operating temperature: -10°C - +40°C

Application

Airport lounges, hotel lobbies, hotel rooms, cafés, locker rooms, office furniture

Remarks

- Sockets with protruding parts such as switches or phone cable modules cannot be mounted.
- Do not allow water or dust to enter the plug insertion part of the outlet. This may cause a short circuit or overheating, resulting in smoke or fire.

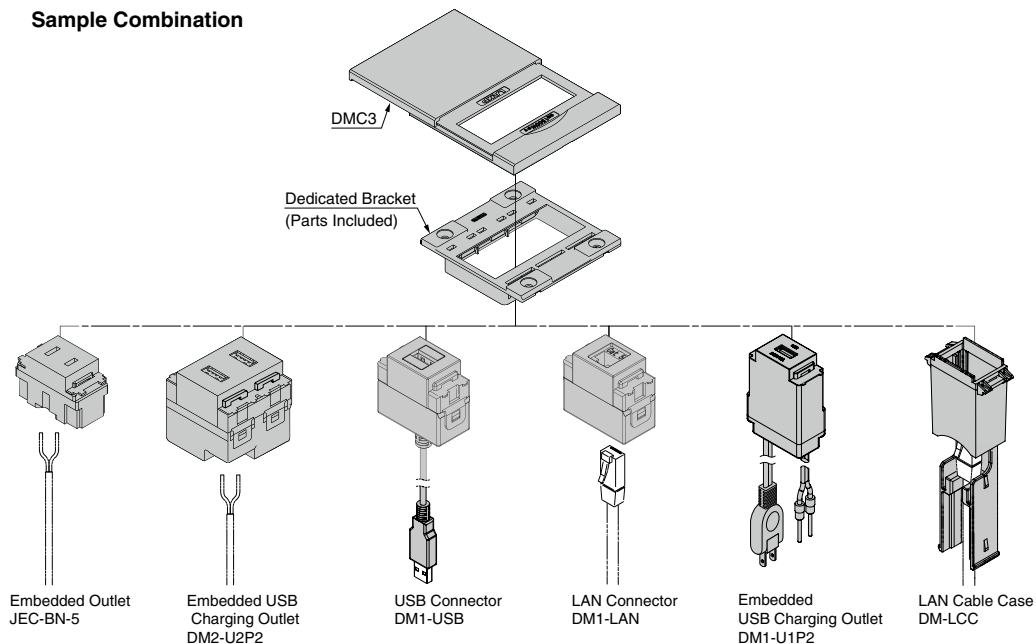
Parts Included

- Size 4 x 16 cross-recessed flat head tapping screws
- Dedicated bracket

Warning

Embedded outlets and power supplies have been built according to Japanese electrical standards. They will NOT function outside of Japan.

Sample Combination



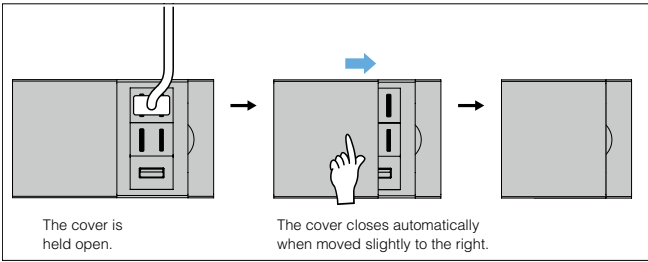
*Choose from insertion plug type and rod terminal type.

Main Body

| CAD | Item Code | Item Name | Colour | Specifications | No. of Ports | Weight (g) | Box (pcs) | Carton (pcs) |
|-----|-------------|------------|--------|----------------|--------------|------------|-----------|--------------|
| | 210-032-979 | DMC3-MC-BL | Black | Held open | 3 outlets | 40 | 15 | 120 |
| | 210-032-980 | DMC3-MC-WT | White | | | | 15 | 120 |
| | 210-032-981 | DMC3-MC-BR | Brown | | | | 15 | 120 |

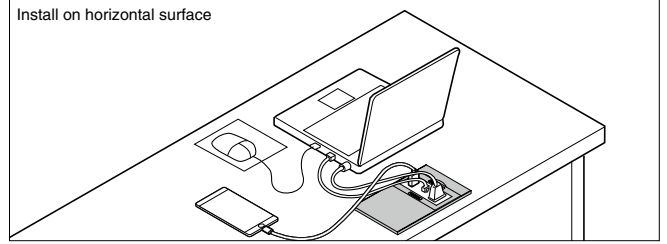
Specifications of hold-open function

Specifications of hold-open function

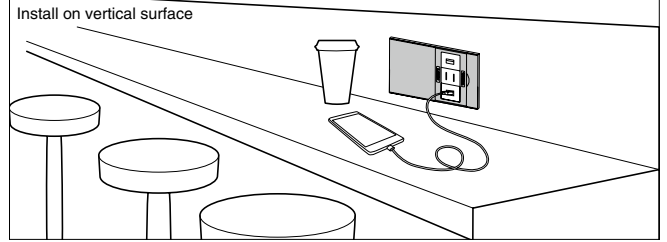


Application Example

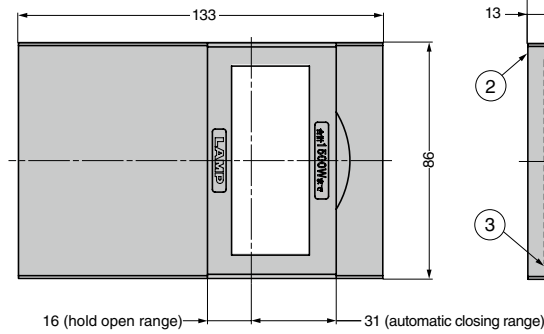
Install on horizontal surface



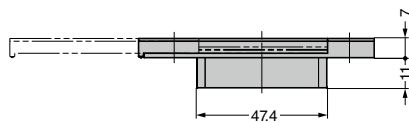
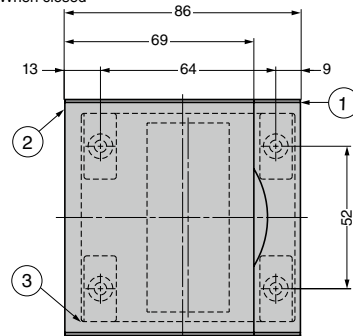
Install on vertical surface



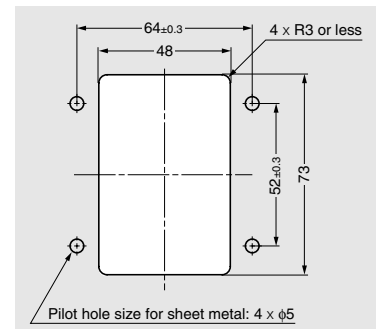
When fully open



When closed



Cut Out Dimensions



*The dimensional tolerance for installation holes drilled in sheet metal is ±0.3.

| No. | Part Name | Material | Finish | Colour |
|-----|-------------------|-----------|--------|-------------------|
| ① | Cover Body | PBT | Blast | Black/White/Brown |
| ② | Sliding Cover | Resin | Finish | |
| ③ | Dedicated Bracket | PPE Resin | - | Black |