

# Flat suction cup (round)

<https://www.schmalz.com/10.01.01.10387>



PFYN 30 NBR-AS-55 G1/8-AG

Part no.: 10.01.01.10387

Homepage > Vacuum Technology for Automation > Vacuum Components > Vacuum Suction Cups > PFYN 30 NBR-AS-55 G1/8-AG

## Flat suction cup (round) for smooth or slightly rough surfaces



Size: 30

Suction cup material:

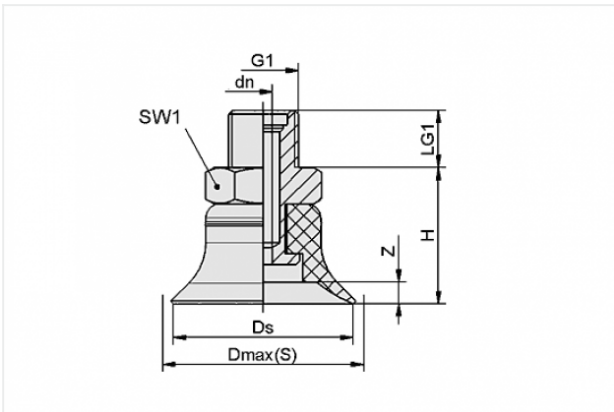
Nitrile rubber NBR-antistat

Material hardness: 55 °Sh

Nipple material: Aluminium

Vacuum connection: G1/8-M

### Design Data



Attribute	Value
-----------	-------

dn	2.4 mm
----	--------

Dmax(S)	31.5 mm
---------	---------

Ds	28.8 mm
----	---------

G1	G1/8"-M
----	---------

H	17 mm
---	-------

LG1	8 mm
-----	------

SW1	14 mm
-----	-------

Z	2 mm
---	------

### Technical Data

Attribute	Value
-----------	-------

Suction force	34 N
---------------	------

### Contact to Schmalz

J. Schmalz GmbH | Johannes-Schmalz-Straße, 72293 Glatten, Deutschland | +49 7443 2403-102 | [customercenter@schmalz.de](mailto:customercenter@schmalz.de)

Attribute	Value
Volume	1.3 cm <sup>3</sup>
Curve radius (min) (convex)	40 mm
Internal hose diameter (recom.)	4 mm
Size	30
Number of folds	0
Suction cup material	Nitrile rubber NBR-antistat
Material hardness	55 °Sh
Weight	7.9 g
Product family	PfYN

## Spare Parts



### SA-NIP N007 G1/8-AG DN240

Part no. 10.01.01.03531

Suction cup connection nipple

Nipple: N 007

Thread G1: G1/8-M

Overall length: 21.5 mm

Fitting length: 5 mm

Nominal size: 2,40 mm

Material: Aluminium

Spanner size SW2: 4 mm



**PFG 30 NBR-AS-55 N007**

Part no. 10.01.01.10339

Flat suction cup (round) for smooth or slightly rough surfaces

Size: 30

Suction cup material:

Nitrile rubber NBR-antistat

Material hardness: 55 °Sh

**Accessories**



**SU 30**

Part no. 10.01.01.12889

Cover for suction cup

Size: 30

Clamping range: 27.0 ... 35.0 mm

Temperature resistance: 80 °C