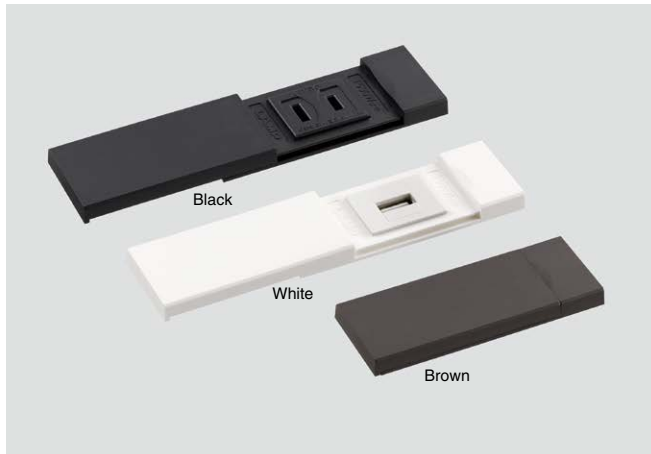


OUTLET COVER

INSTRUCTION

DMC1



*Outlet and connector sold separately.

Features

- An outlet cover for devices and furniture. An embedded outlet, USB outlet, USB connector, LAN connector or LAN cable case (all sold separately) can be mounted to this product.
- See the Compatibility Table for details on products that can be mounted.
- Can be mounted to a horizontal or vertical surface.
- Flat, clean design with thickness of just 7 mm.
- The cover is made from PBT resin for outstanding chemical resistance.
- Comes with a self-closing cover to keep out dust.
- Choose from a type that can be held open and a type that remains closed.

Specifications

Operating temperature: -10°C - +40°C

Application

Airport lounges, hotel lobbies, hotel rooms, cafés, locker rooms, office furniture

Remarks

- Sockets with protruding parts such as switches or phone cable modules cannot be mounted.
- The outlet must be installed by a qualified electrician.
- Do not allow water or dust to enter the plug insertion part of the outlet. This may cause a short circuit or overheating, resulting in smoke or fire.

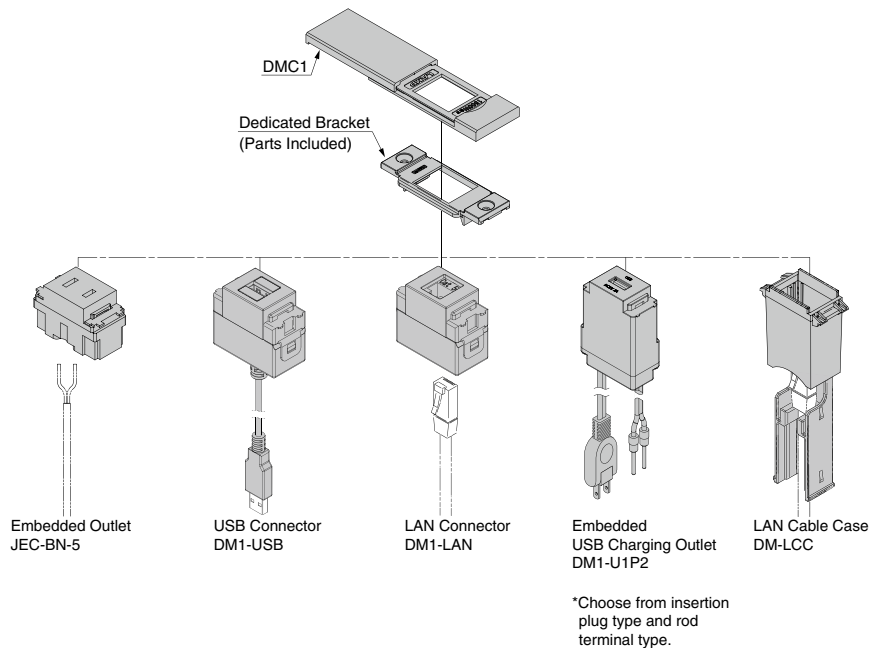
Parts Included

- Size 4 x 16 cross-recessed flat head tapping screws
- Dedicated bracket

Warning

Embedded outlets and power supplies have been built according to Japanese electrical standards. They will NOT function outside of Japan.

Sample Combination

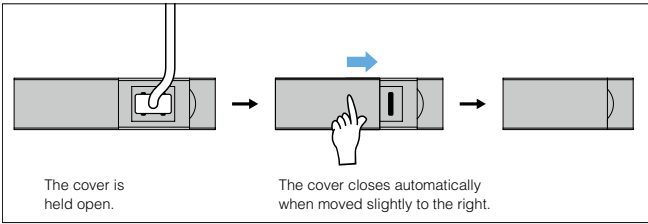


Main Body

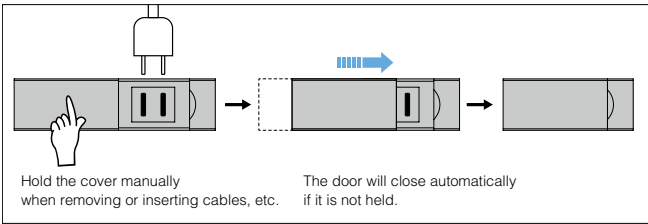
CAD	Item Code	Item Name	Colour	Specifications	No. of Ports	Weight (g)	Box (pcs)	Carton (pcs)
	210-032-581	DMC1-MC-BL	Black	Held open	1 outlet	20	15	150
	210-032-582	DMC1-MC-WT	White				15	150
	210-032-583	DMC1-MC-BR	Brown				15	150
	210-032-584	DMC1-AC-BL	Black	Remaining closed			15	150
	210-032-585	DMC1-AC-WT	White				15	150
	210-032-586	DMC1-AC-BR	Brown				15	150

Specifications of hold-open and keep-closed functions

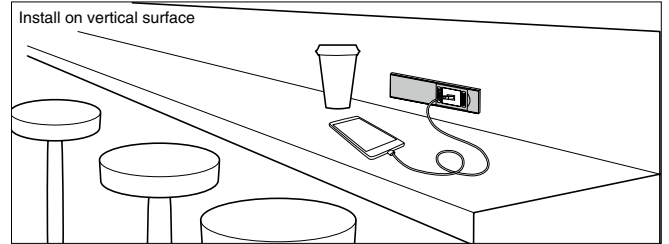
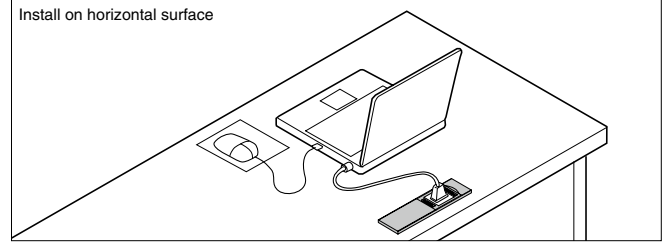
Specifications of hold-open function



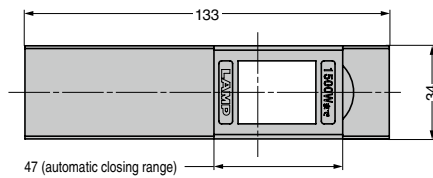
Specifications of keep-closed function



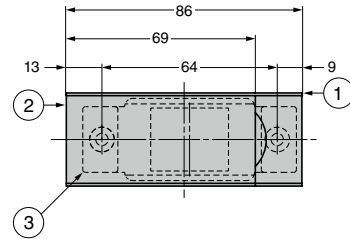
Application Example



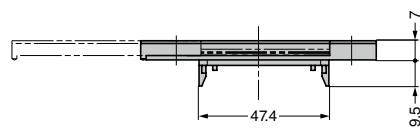
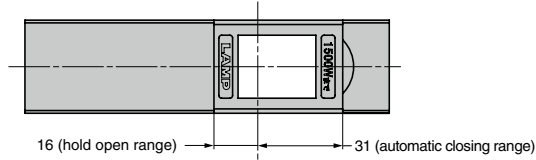
When fully open (DMC1-AC)



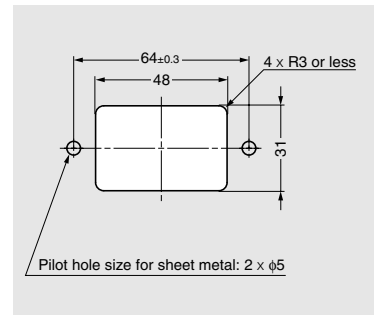
When closed



When fully open (DMC-1-MC)



Cut Out Dimensions



*The dimensional tolerance for installation holes drilled in sheet metal is ±0.3.

No.	Part Name	Material	Finish	Colour
①	Cover Body	PBT	Blast	Black/White/Brown
②	Sliding Cover	Resin	Finish	Black/White/Brown
③	Dedicated Bracket	PPE Resin	-	Black

MISCELLANEOUS

OUTLET COVER