

# Flat suction cup (round)

<https://www.schmalz.com/10.01.01.00157>



PFYN 25 SI-55 G1/8-AG

Part no.: 10.01.01.00157

Homepage > Vacuum Technology for Automation > Vacuum Components > Vacuum Suction Cups > Flat Suction Cups (Round) > Flat Suction Cups

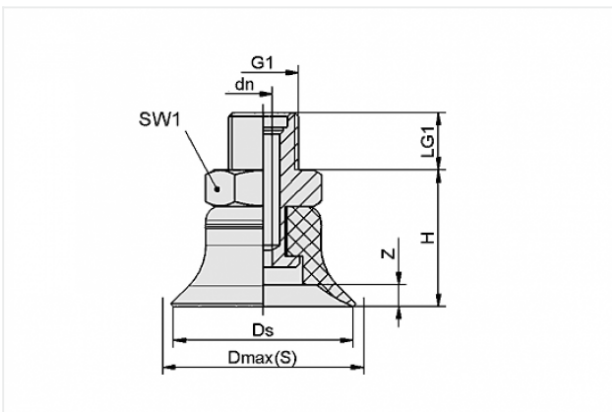
PFYN > PFYN 25 SI-55 G1/8-AG

## Flat suction cup (round) for smooth or slightly rough surfaces



Size: 25  
Suction cup material: Silicone SI  
Material hardness: 55 °Sh  
Material characteristics:  
FDA-compatible  
Nipple material: Aluminium  
Vacuum connection: G1/8-M

### Design Data



Attribute	Value
-----------	-------

dn	2.4 mm
----	--------

Dmax(S)	27.5 mm
---------	---------

Ds	25 mm
----	-------

G1	G1/8"-M
----	---------

H	19 mm
---	-------

LG1	8 mm
-----	------

SW1	14 mm
-----	-------

Z	3 mm
---	------

### Technical Data

#### Contact to Schmalz

J. Schmalz GmbH | Johannes-Schmalz-Straße, 72293 Glatten, Deutschland | +49 7443 2403-102 | [customercenter@schmalz.de](mailto:customercenter@schmalz.de)

Attribute	Value
Suction force	26.5 N
Volume	1.3 cm <sup>3</sup>
Curve radius (min) (convex)	25 mm
Internal hose diameter (recom.)	4 mm
Size	25
Number of folds	0
Suction cup material	Silicone SI
Material hardness	55 °Sh
Weight	7.2 g
Product family	PFYN

**Note:**

- Suction force: The specified suction forces are theoretical values at a vacuum of -0.6 bar and with a smooth, dry workpiece surface - they do not include a safety factor
- Hose diameter: The recommended hose diameter refers to a hose length of approx. 2 m

**Spare Parts**



**SA-NIP N007 G1/8-AG DN240**

Part no. 10.01.01.03531

Suction cup connection nipple

Nipple: N 007

Thread G1: G1/8-M

Overall length: 21.5 mm

Fitting length: 5 mm

Nominal size: 2,40 mm

Material: Aluminium

Spanner size SW2: 4 mm

**PFG 25 SI-55 N007**

Part no. 10.01.01.00033

Flat suction cup (round) for smooth or slightly rough surfaces

Size: 25

Suction cup material: Silicone SI

Material hardness: 55 °Sh

Material characteristics:

FDA-compatible

**Accessories****SU 25**

Part no. 10.01.01.13584

Cover for suction cup

Size: 25

Temperature resistance: 80 °C