

Flat suction cup (round)

<https://www.schmalz.com/10.01.01.10352>



PFYN 25 NBR-AS-55 G1/8-IG

Part no.: 10.01.01.10352

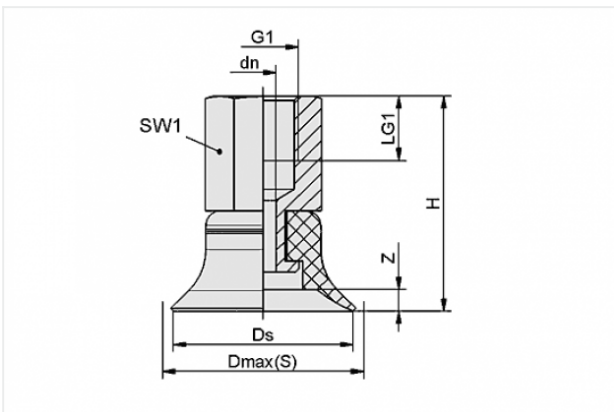
Homepage > Vacuum Technology for Automation > Vacuum Components > Vacuum Suction Cups > PFYN 25 NBR-AS-55 G1/8-IG

Flat suction cup (round) for smooth or slightly rough surfaces



Size: 25
Suction cup material:
Nitrile rubber NBR-antistat
Material hardness: 55 °Sh
Nipple material: Aluminium
Vacuum connection: G1/8-F

Design Data



Attribute	Value
dn	3.5 mm
Dmax(S)	27.5 mm
Ds	25 mm
G1	G1/8"-F
H	30 mm
LG1	9 mm
SW1	14 mm
Z	3 mm

Technical Data

Attribute	Value
Suction force	26.5 N

Contact to Schmalz

J. Schmalz GmbH | Johannes-Schmalz-Straße, 72293 Glatten, Deutschland | +49 7443 2403-102 | customercenter@schmalz.de

Attribute	Value
Volume	1.3 cm ³
Curve radius (min) (convex)	25 mm
Internal hose diameter (recom.)	4 mm
Size	25
Number of folds	0
Suction cup material	Nitrile rubber NBR-antistat
Material hardness	55 °Sh
Weight	8.5 g
Product family	PFYN

Spare Parts



SA-NIP N007 G1/8-IG DN350

Part no. 10.01.01.03523

Suction cup connection nipple

Nipple: N 007

Thread G1: G1/8-F

Overall length: 24.5 mm

Fitting length: 16 mm

Nominal size: 3,50 mm

Material: Aluminium

Spanner size SW2: 4 mm



PFG 25 NBR-AS-55 N007

Part no. 10.01.01.10338

Flat suction cup (round) for smooth or slightly rough surfaces

Size: 25

Suction cup material:

Nitrile rubber NBR-antistat

Material hardness: 55 °Sh

Accessories



SU 25

Part no. 10.01.01.13584

Cover for suction cup

Size: 25

Temperature resistance: 80 °C