

Flat suction cup (round)

<https://www.schmalz.com/10.01.01.00087>



PFYN 25 NBR-55 G1/8-IG

Part no.: 10.01.01.00087

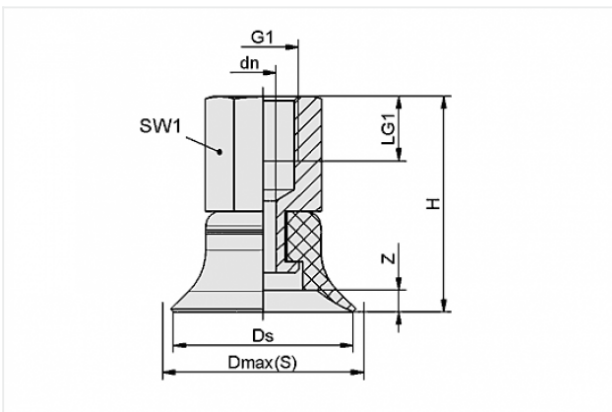
Homepage > Vacuum Technology for Automation > Vacuum Components > Vacuum Suction Cups > Flat Suction Cups (Round) > Flat Suction Cups
PFYN > PFYN 25 NBR-55 G1/8-IG

Flat suction cup (round) for smooth or slightly rough surfaces



Size: 25
Suction cup material:
Nitrile rubber NBR
Material hardness: 55 °Sh
Nipple material: Aluminium
Vacuum connection: G1/8-F

Design Data



Attribute	Value
-----------	-------

dn	3.5 mm
----	--------

Dmax(S)	27.5 mm
---------	---------

Ds	25 mm
----	-------

G1	G1/8"-F
----	---------

H	30 mm
---	-------

LG1	9 mm
-----	------

SW1	14 mm
-----	-------

Z	3 mm
---	------

Technical Data

Contact to Schmalz

J. Schmalz GmbH | Johannes-Schmalz-Straße, 72293 Glatten, Deutschland | +49 7443 2403-102 |
customercenter@schmalz.de

Attribute	Value
Suction force	26.5 N
Volume	1.3 cm ³
Curve radius (min) (convex)	25 mm
Internal hose diameter (recom.)	4 mm
Size	25
Number of folds	0
Suction cup material	Nitrile rubber NBR
Material hardness	55 °Sh
Weight	8.5 g
Product family	PFYN

Note:

- Suction force: The specified suction forces are theoretical values at a vacuum of -0.6 bar and with a smooth, dry workpiece surface - they do not include a safety factor
- Hose diameter: The recommended hose diameter refers to a hose length of approx. 2 m

Spare Parts



SA-NIP N007 G1/8-IG DN350

Part no. 10.01.01.03523

Suction cup connection nipple

Nipple: N 007

Thread G1: G1/8-F

Overall length: 24.5 mm

Fitting length: 16 mm

Nominal size: 3,50 mm

Material: Aluminium

Spanner size SW2: 4 mm

**PFG 25 NBR-55 N007**

Part no. 10.01.01.00013

Flat suction cup (round) for smooth or slightly rough surfaces

Size: 25

Suction cup material:

Nitrile rubber NBR

Material hardness: 55 °Sh

Accessories**SU 25**

Part no. 10.01.01.13584

Cover for suction cup

Size: 25

Temperature resistance: 80 °C