

Flat suction cup (round)

<https://www.schmalz.com/10.01.01.11151>



PFYN 25 HT1-60 G1/8-IG

Part no.: 10.01.01.11151

Homepage > Vacuum Technology for Automation > Vacuum Components > Vacuum Suction Cups > Flat Suction Cups (Round) > Flat Suction Cups

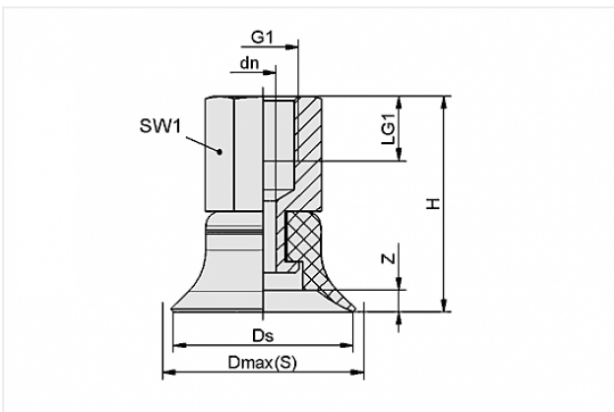
PFYN > PFYN 25 HT1-60 G1/8-IG

Flat suction cup (round) for smooth or slightly rough surfaces



Size: 25
Suction cup material:
High temp material HT1
Material hardness: 60 °Sh
Material property: imprint-free
Nipple material: Aluminium
Vacuum connection: G1/8-F

Design Data



| Attribute | Value |
|-----------|-------|
|-----------|-------|

| | |
|----|--------|
| dn | 3.5 mm |
|----|--------|

| | |
|---------|---------|
| Dmax(S) | 27.5 mm |
|---------|---------|

| | |
|----|-------|
| Ds | 25 mm |
|----|-------|

| | |
|----|---------|
| G1 | G1/8"-F |
|----|---------|

| | |
|---|-------|
| H | 30 mm |
|---|-------|

| | |
|-----|------|
| LG1 | 9 mm |
|-----|------|

| | |
|-----|-------|
| SW1 | 14 mm |
|-----|-------|

| | |
|---|------|
| Z | 3 mm |
|---|------|

Technical Data

Contact to Schmalz

J. Schmalz GmbH | Johannes-Schmalz-Straße, 72293 Glatten, Deutschland | +49 7443 2403-102 | customercenter@schmalz.de

| Attribute | Value |
|---------------------------------|------------------------|
| Suction force | 26.5 N |
| Volume | 1.3 cm ³ |
| Curve radius (min) (convex) | 25 mm |
| Internal hose diameter (recom.) | 4 mm |
| Size | 25 |
| Number of folds | 0 |
| Suction cup material | High temp material HT1 |
| Material hardness | 60 °Sh |
| Weight | 8.5 g |
| Product family | PFYN |

Note:

- Suction force: The specified suction forces are theoretical values at a vacuum of -0.6 bar and with a smooth, dry workpiece surface - they do not include a safety factor
- Hose diameter: The recommended hose diameter refers to a hose length of approx. 2 m

Spare Parts



SA-NIP N007 G1/8-IG DN350

Part no. 10.01.01.03523

Suction cup connection nipple

Nipple: N 007

Thread G1: G1/8-F

Overall length: 24.5 mm

Fitting length: 16 mm

Nominal size: 3,50 mm

Material: Aluminium

Spanner size SW2: 4 mm



PFG 25 HT1-60 N007

Part no. 10.01.01.11164

Flat suction cup (round) for smooth or slightly rough surfaces

Size: 25

Suction cup material:

High temp material HT1

Material hardness: 60 °Sh

Material property: imprint-free

Accessories



SU 25

Part no. 10.01.01.13584

Cover for suction cup

Size: 25

Temperature resistance: 80 °C