

CABLE GROMMET LSUKS/LSKS Square/One-sided

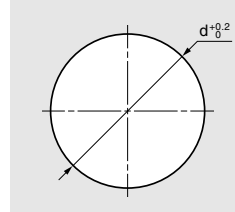


- The cap is removable for wide opening.
- Body can be fixed with nails to prevent rotation. When installing, please use nails to pierce into the 2 thin-walled locations on the backside of the body.
- Recommended nail: Pan head nail 1.2×10
 - Head diameter : 4mm or less
 - Shank diameter: 1.9mm or less

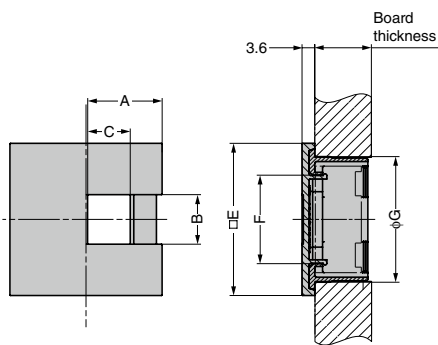
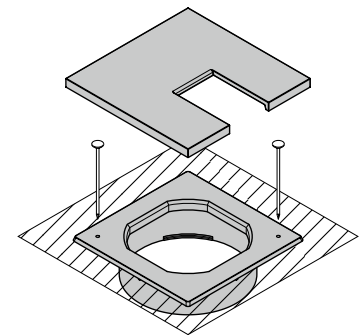
[Remarks]

- Please install by pushing into place.
- Please use an adhesive when installing on a metal sheet.

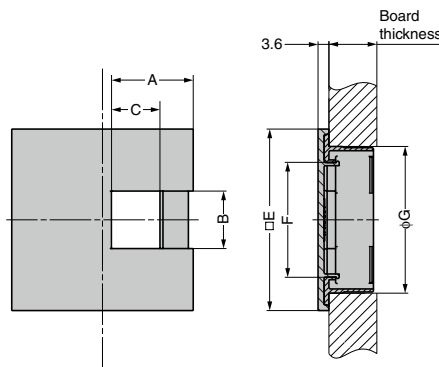
[Cut Out Dimensions]



[Components]



LS43KS/LS50KS



LSU60KS/LS60KS/LS76KS

[LS43KS] Size: 43 mm

RoHS	CAD	Item Code	Item Name	Colour	Material	A	B	C	E	F	G	d	Board Thickness	Weight (g)	Box (pcs)	Carton (pcs)
CE	2D	210-043-445	LS43KS-WT	White	ABS	21	14	12	43	25	35.5	35	Min. 16	7	20	160
CE	2D	210-043-446	LS43KS-BE	Beige											20	160
CE	2D	210-043-447	LS43KS-LBR	Light Brown											20	160
CE	2D	210-043-448	LS43KS-DBR	Dark Brown											20	160
CE	2D	210-043-449	LS43KS-BL	Black											20	160

[LS50KS] Size: 50 mm

RoHS	CAD	Item Code	Item Name	Colour	Material	A	B	C	E	F	G	d	Board Thickness	Weight (g)	Box (pcs)	Carton (pcs)
CE	2D	210-043-450	LS50KS-WT	White	ABS	25	17	15	50	30	40.5	40	Min. 16	9.2	20	160
CE	2D	210-043-451	LS50KS-BE	Beige											20	160
CE	2D	210-043-452	LS50KS-LBR	Light Brown											20	160
CE	2D	210-043-453	LS50KS-DBR	Dark Brown											20	160
CE	2D	210-043-454	LS50KS-BL	Black											20	160

[LSU60KS] Size: 60 mm / Low-profile type

RoHS	CAD	Item Code	Item Name	Colour	Material	A	B	C	E	F	G	d	Board Thickness	Weight (g)	Box (pcs)	Carton (pcs)
CE	2D	210-035-866	LSU60KS-WT	White	ABS	27	19	16.1	60	38	48.5	48	Min. 12	12	20	160
CE	2D	210-035-867	LSU60KS-BE	Beige											20	160
CE	2D	210-035-868	LSU60KS-LBR	Light Brown											20	160
CE	2D	210-035-869	LSU60KS-DBR	Dark Brown											20	160
CE	2D	210-035-870	LSU60KS-BL	Black											20	160

[LS60KS] Size: 60 mm

RoHS	CAD	Item Code	Item Name	Colour	Material	A	B	C	E	F	G	d	Board Thickness	Weight (g)	Box (pcs)	Carton (pcs)
CE	2D	210-035-871	LS60KS-WT	White	ABS	27	19	16.1	60	38	48.5	48	Min. 16	13	20	160
CE	2D	210-035-872	LS60KS-BE	Beige											20	160
CE	2D	210-035-873	LS60KS-LBR	Light Brown											20	160
CE	2D	210-035-874	LS60KS-DBR	Dark Brown											20	160
CE	2D	210-035-875	LS60KS-BL	Black											20	160

[LS76KS] Size: 76 mm

RoHS	CAD	Item Code	Item Name	Colour	Material	A	B	C	E	F	G	d	Board Thickness	Weight (g)	Box (pcs)	Carton (pcs)
CE	2D	210-035-876	LS76KS-WT	White	ABS	34	22	22.8	76	53.5	64.5	64	Min. 25	22	12	160
CE	2D	210-035-877	LS76KS-BE	Beige											12	160
CE	2D	210-035-878	LS76KS-LBR	Light Brown											12	160
CE	2D	210-035-879	LS76KS-DBR	Dark Brown											12	160
CE	2D	210-035-880	LS76KS-BL	Black											12	160