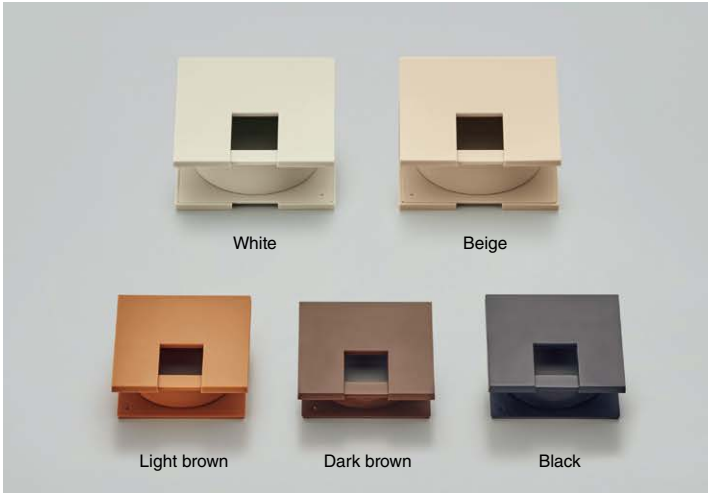
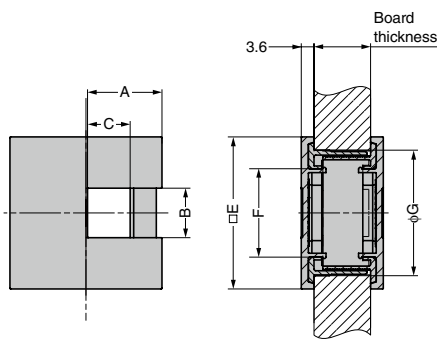
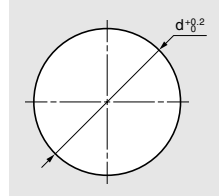


**CABLE GROMMET LSUK/LSK Square/Double-sided**

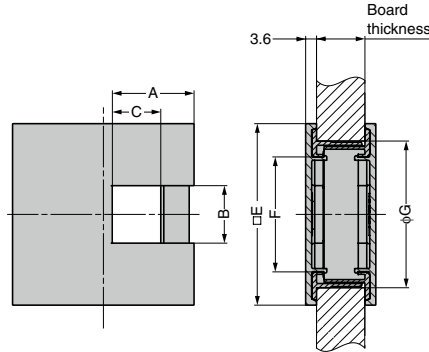


- Double-sided model which is suitable for vertical use.
- Applicable board thickness: 12-18mm, 16-26mm, 25-40mm.
- The cap is removable for wide opening.
- Square/one-sided model **1** is also available.
- Round/double-sided **2** and oval/double-sided **3** models are also available.
- The body can be fixed with nails to prevent rotation. When installing, please use nails to pierce into the 2 thin-walled locations on the backside of the body.
- Recommended nail: Pan head nail 1.2×10
  - Head diameter : 4mm or less
  - Shank diameter : 1.9mm or less

**[Cut Out Dimensions]**

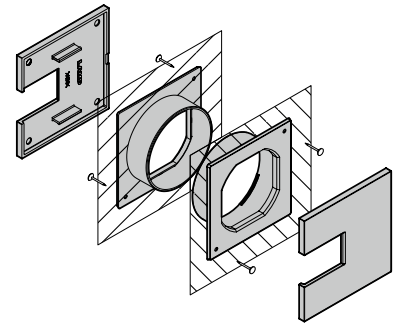


LS43K/LS50K



LSU60K/LS60K/LS76K

**[Components]**



**[LS43K] Size: 43 mm**

RHS	CAD	Item Code	Item Name	Colour	Material	A	B	C	E	F	G	d	Board Thickness	Weight (g)	Box (pcs)	Carton (pcs)
☑	2D	210-043-455	LS43K-WT	White	ABS	21	14	12	43	25	35.5	35	16-26	13.7	20	160
☑	2D	210-043-456	LS43K-BE	Beige											20	160
☑	2D	210-043-457	LS43K-LBR	Light Brown											20	160
☑	2D	210-043-458	LS43K-DBR	Dark Brown											20	160
☑	2D	210-043-459	LS43K-BL	Black											20	160

**[LS50K] Size: 50 mm**

RHS	CAD	Item Code	Item Name	Colour	Material	A	B	C	E	F	G	d	Board Thickness	Weight (g)	Box (pcs)	Carton (pcs)
☑	2D	210-043-460	LS50K-WT	White	ABS	25	17	15	50	30	40.5	40	16-26	18	20	160
☑	2D	210-043-461	LS50K-BE	Beige											20	160
☑	2D	210-043-462	LS50K-LBR	Light Brown											20	160
☑	2D	210-043-463	LS50K-DBR	Dark Brown											20	160
☑	2D	210-043-464	LS50K-BL	Black											20	160

**[LSU60K] Size: 60 mm / Low-profile type**

RHS	CAD	Item Code	Item Name	Colour	Material	A	B	C	E	F	G	d	Board Thickness	Weight (g)	Box (pcs)	Carton (pcs)
☑	2D	210-035-851	LSU60K-WT	White	ABS	27	19	16.1	60	38	48.5	48	12-18	24	20	160
☑	2D	210-035-852	LSU60K-BE	Beige											20	160
☑	2D	210-035-853	LSU60K-LBR	Light Brown											20	160
☑	2D	210-035-854	LSU60K-DBR	Dark Brown											20	160
☑	2D	210-035-855	LSU60K-BL	Black											20	160

**[LS60K] Size: 60 mm**

RHS	CAD	Item Code	Item Name	Colour	Material	A	B	C	E	F	G	d	Board Thickness	Weight (g)	Box (pcs)	Carton (pcs)
☑	2D	210-035-856	LS60K-WT	White	ABS	27	19	16.1	60	38	48.5	48	16-26	25	20	160
☑	2D	210-035-857	LS60K-BE	Beige											20	160
☑	2D	210-035-858	LS60K-LBR	Light Brown											20	160
☑	2D	210-035-859	LS60K-DBR	Dark Brown											20	160
☑	2D	210-035-860	LS60K-BL	Black											20	160

**[LS76K] Size: 76 mm**

RHS	CAD	Item Code	Item Name	Colour	Material	A	B	C	E	F	G	d	Board Thickness	Weight (g)	Box (pcs)	Carton (pcs)
☑	2D	210-035-861	LS76K-WT	White	ABS	34	22	22.8	76	53.5	64.5	64	25-40	42	12	160
☑	2D	210-035-862	LS76K-BE	Beige											12	160
☑	2D	210-035-863	LS76K-LBR	Light Brown											12	160
☑	2D	210-035-864	LS76K-DBR	Dark Brown											12	160
☑	2D	210-035-865	LS76K-BL	Black											12	160

Refer to **1** : No.240A P.791-1, **2** : No.240A P.822, **3** : No.240A P.820