

TOWEL BAR (URBAN METAL QUEST SERIES)   **PXB-UM06-450-Q1**



PXB-UM06-450-Q1-BL

PXB-UM06-450-Q1-GL



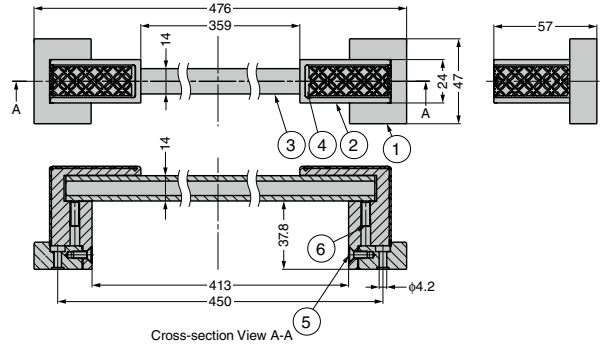
A lattice pattern that combines both modern and classic elements into a seamless holistic towel rack design and finish. The resulting ambience is both precise and 3 dimensional, bestowing a graceful beauty on its surroundings.

Features



A wide array of matching products is available, allowing for total design coordination.

Parts Included

- Size 4 x 32 cross-recessed pan head tapping screws
- Nominal 2.5 hex bar spanner



No.	Part Name	Material	Finish
①	Base	Aluminium Alloy	See table below
②	Arm		
③	Bar	Free-Cut Brass	Baked Enamel Finish/Black, Gold Plain
④	Decorative Plate		
⑤	Hex Socket Flat Head Screws	Stainless Steel	Plain
⑥	Hexagon Socket Set Screws		

CAD	Item Code	Item Name	Material	Finish/Colour(Main Body)	Finish (Decorative Plate)	Load Capacity N	Load Capacity kgf	Weight (g)	Box (pcs)	Carton (pcs)
	280-033-749	PXB-UM06-450-Q1-BL	Aluminium Alloy,	Anodised/Matte Black	Black Nickel Plating	100	10.2	400	1	8
	280-033-750	PXB-UM06-450-Q1-GL	Free-Cut Brass	Anodised/Matte Gold	24K Gold Plating				1	8

TOWEL BAR (AGED CAST SERIES) **PXB-AC06-450**



PXB-AC06-450-BL

PXB-AC06-450-BR



Generous amounts of brass cast into a nostalgic and rugged finish. A design that is both substantial and reliable and will continue to retain its allure.

Features

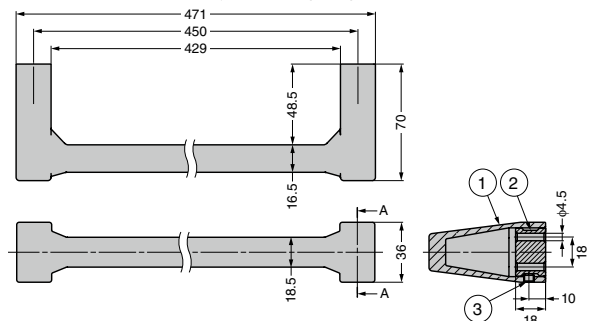
A wide array of matching products is available, allowing for total design coordination.

Remarks



The finish of the products varies as the finishing process works with the natural characteristics of the material.

Parts Included

- Size 4 x 50 cross-recessed pan head tapping screws
- Size M4 plain washers
- Lock plug (for nominal 4, compatible with $\phi 6$ drill, plug length 30)



No.	Part Name	Material	Finish/Colour
①	Main Body	Brass	See table below
②	Frame		Chromate Finish
③	Size M6 x 5 Hexagon Socket Set Screws	Steel	Black Chromate Finish (Trivalent)

CAD	Item Code	Item Name	Material	Colour	Load Capacity N	Load Capacity kgf	Weight (g)	Box (pcs)	Carton (pcs)
	280-033-720	PXB-AC06-450-BL	Brass	Black Bronze	100	10.2	1600	1	4
	280-033-721	PXB-AC06-450-BR		Brown Bronze					