

Zwei L STAINLESS STEEL TOWEL BAR



ZL-3204

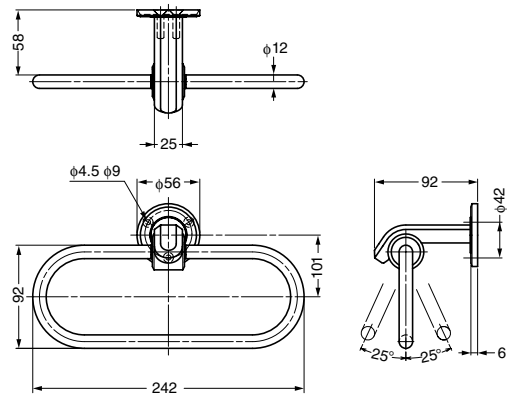


Features

- Made of highly corrosion resistant SUS316
- Ultrapremium Zwei L finish. Zwei L finish: Using top class polishing technology, these products combine the elegance of Satin with the deep glow of a Mirror.
- Comes with a plug, allowing for installation into hard surfaces like concrete
- Designed so that installation screw is not visible after installation

Parts Included

- Countersunk head wood screw 4.1x32 (SUS)
- Plug
- Hex key
- Special tool for the ring



Item Code	Item Name	Material	Finish	Weight	Box
280-021-832	ZL-3204	Stainless Steel (SUS316)	Zwei L Finish	1200 g	1 pc

Zwei L STAINLESS STEEL TOWEL BAR



ZL-3205

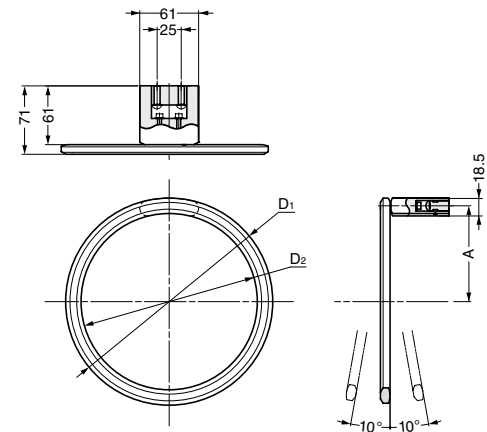


Features

- Made of highly corrosion resistant SUS316
- Ultrapremium Zwei L finish. Zwei L finish: Using top class polishing technology, these products combine the elegance of Satin with the deep glow of a Mirror.
- Comes with a plug, allowing for installation into hard surfaces like concrete
- Designed so that installation screw is not visible after installation

Parts Included

- Round head wood screw 5.8x65 (SUS)
- Plug
- Hex key



Item Code	Item Name	Material	Finish	D ₁	D ₂	A	Weight	Box
280-023-264	ZL-3205-172	Stainless Steel (SUS316)	Zwei L Finish	172	140	78	1224 g	1 pc
280-023-265	ZL-3205-215	Stainless Steel (SUS316)	Zwei L Finish	215	183	99.5	1453 g	1 pc