

# Floor Locks

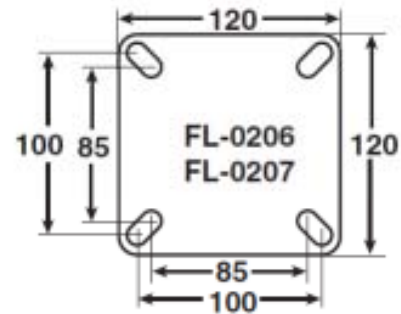
**BRAUER**<sup>®</sup>



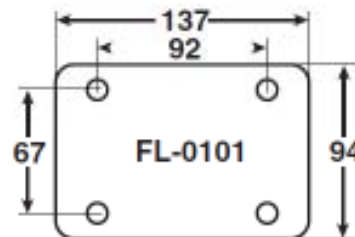
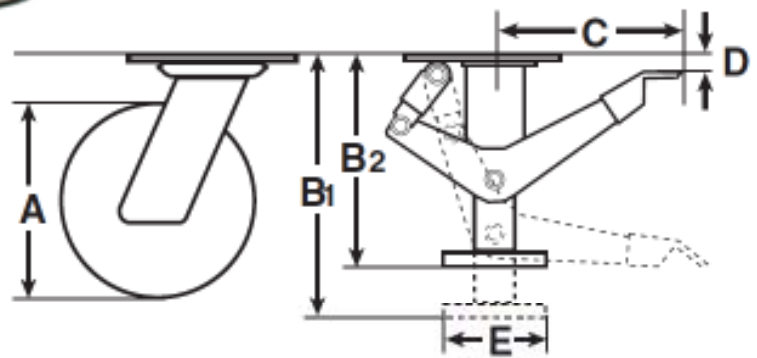
**UK STANDARD**

† The swivel load rating is dependent on the wheel size

## A POSITIVE MEANS OF SECURING MOBILE EQUIPMENT



Floor lock top plates have fixing holes to suit 10mm diameter bolts



Designed to steady the equipment to which they are fitted and stop horizontal movement, floor locks are never intended to act as a jack. Any attempt to vary the fitting height from the catalogue specification will give failure and/or damage. There is some built-in resilience in the foot pad, which will allow some variations in floor level. Nonetheless it is essential that the floor lock is fitted as closely as possible to one of the swivel castors. Please note that the floor lock can be severely damaged if the linkage is operated whilst the truck is moving.

A	B1	B2	C	D	E	MODEL NUMBER
For Castors With Wheel Diameter	Mounting Height	Retracted Height				
4" <b>100</b>	143	119	72	20	103	FL-0101
	150	125	140	5	80	FL-0206
6" <b>150</b>	210	170	145	8	80	FL-0207

**FLOOR LOCKS**