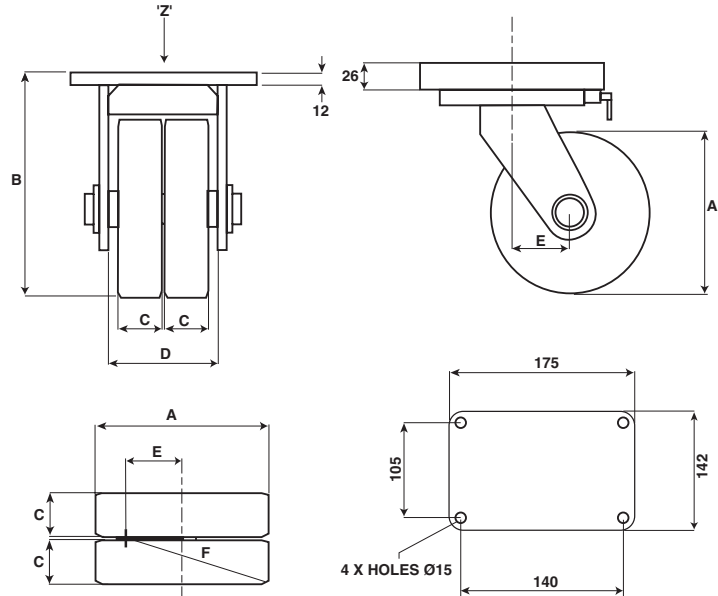


TWG Series Swivel load rating 3000kg



WITH A VARIETY OF WHEEL OPTIONS (SEE TABLE BELOW)



Top plates have fixing holes to suit 14mm diameter bolts

(E) Swivel top plate thickness 26mm

(H) Fixed top plate thickness 12mm

TWIN WHEEL SWIVEL

FOR TECHNICAL INFORMATION COVERING LOAD FACTORS, ETC., SEE 'DESIGN DATA' INDEX ON PAGE 20

A	B	C	D	E	F			Swivel		Fixed	
Wheel Diameter	Overall Height	Tread Width	Dim. between Horn Plates	Wheel Centre Off-set	Swivel Radius	Max Load Rating	Wheel Bearing Type	PART NUMBER	Approx Weight kg	PART NUMBER	Approx Weight kg
POLYURETHANE TYRED WHEEL											
150	220	35	90	50	131	1200	Tapered Roller	TWGS/H150/35TB	15	TWGF/H150/35TB	15

QZ SERIES CASTORS

Directional locks are standard on TWG series castors.

NOTE: Also available with other wheel types.