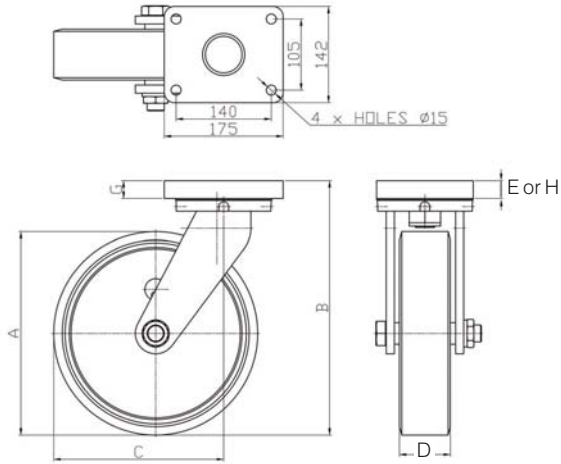


WITH A VARIETY OF WHEEL OPTIONS (SEE TABLE BELOW)



Top plates have fixing holes to suit 14mm diameter bolts

(E) Swivel top plate thickness 26mm

(H) Fixed top plate thickness 12mm

SWIVEL

Note: Direct Bond Polyurethane Wheel shown

FOR TECHNICAL INFORMATION COVERING LOAD FACTORS, ETC., SEE 'DESIGN DATA' INDEX ON PAGE 20

						Swivel		Fixed		
A	B	C	D			PART NUMBER	Approx Weight kg	PART NUMBER	Approx Weight kg	
Wheel Diameter	Overall Height	Swivel Radius	Tread Width	Max Load Rating	Wheel Bearing Type					
POLYURETHANE TYRED WHEEL										
6"	150	220	125	50	900	Taper Roller	WGS/H150/50TB	13	WGF/H150/50TB	13
8"	200	265	160	75	1750	Taper Roller	WGS/H200/75TB	24.4	WGF/H200/75TB	24.4
10"	250	310	200	70	2000	Taper Roller	WGS/H250/70TB	22	WGF/H250/70TB	22
12"	300	375	250	75	2300	Taper Roller	WGS/H300/75TB	26	WGF/H300/75TB	26
POLYURETHANE 'PRESS-ON-BAND' TYRED WHEEL										
10"	250	310	200	75	2000	Taper Roller	WGS/PH250/75TB	30	WGF/PH250/75TB	30
12"	300	375	250	75	2500	Taper Roller	WGS/PH300/75TB	38	WGF/PH300/75TB	38
STEEL WHEEL										
6"	150	220	125	40	3000	Taper Roller	WGS/SFT150/40TB	22	WGF/SFT150/40TB	22

NOTE: Also available with other wheel types.

Wheel locks and directional locks are available on WG series swivel castors.

To order, add the appropriate suffix(es) to the castor part number: W = wheel lock D = directional lock.