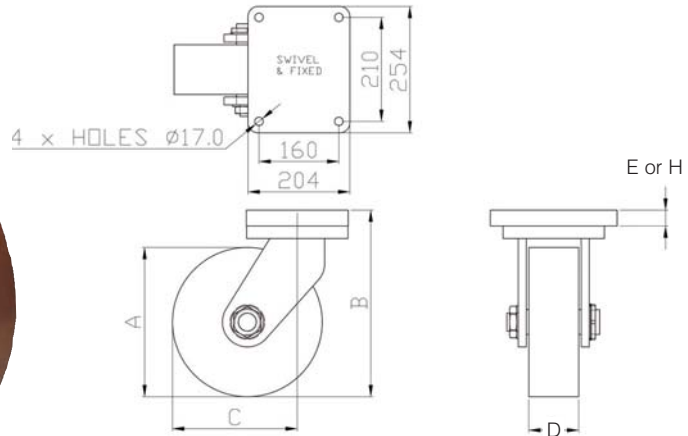


WITH A VARIETY OF WHEEL OPTIONS (SEE TABLE BELOW)



SWIVEL

Note: Press-on band polyurethane wheel shown

Top plates have fixing holes to suit 16mm diameter bolts

(E) Swivel top plate thickness 32mm
(H) Fixed top plate thickness 16mm

FOR TECHNICAL INFORMATION COVERING LOAD FACTORS, ETC., SEE 'DESIGN DATA' INDEX ON PAGE 20

A	B	C	D			▽ Swivel		▽ Fixed		
Wheel Diameter	Overall Height	Swivel Radius	Tread Width	Max Load Rating	Wheel Bearing Type	PART NUMBER	Approx Weight kg	PART NUMBER	Approx Weight kg	
POLYURETHANE TYRED WHEEL										
12"	300	375	250	100	3100	Taper Roller	QZS/H300/100TB	43	QZF/H300/100TB	43
POLYURETHANE 'PRESS-ON BAND' TYRED WHEEL										
15"	380	450	315	100	3600	Taper Roller	QZS/PH380/100TB	70	QZF/PH380/100TB	70
STEEL WHEEL										
8"	200	325	200	90	4200	Taper Roller	QZS/SFT200/90TB	47	QZF/SFT200/90TB	47

NOTE: Also available with other wheel types.

QZ SERIES CASTORS

Wheel locks and directional locks are available on QZ series swivel castors.

To order, add the appropriate suffix(es) to the castor part number: W = wheel lock D = directional lock.