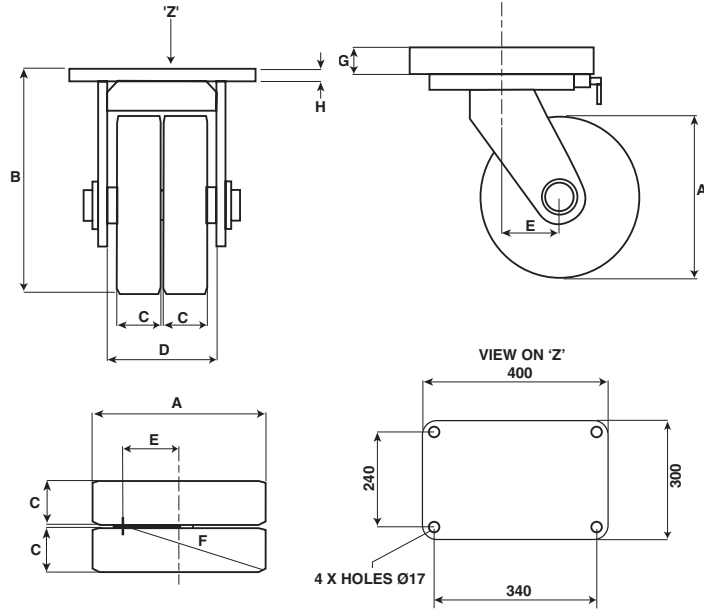
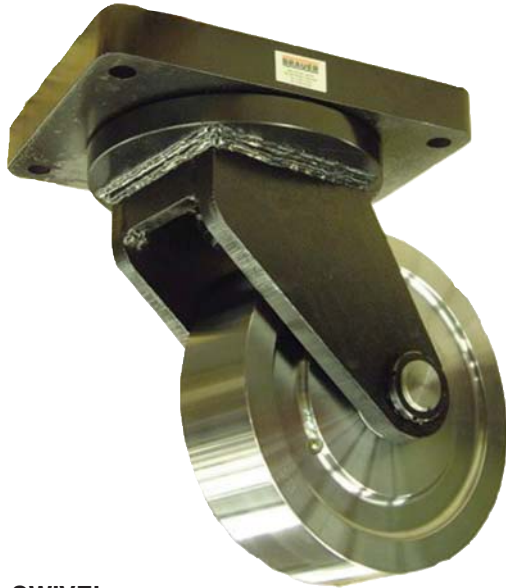


UHQZ Series Swivel load rating 12000kg



WITH A VARIETY OF WHEEL OPTIONS (SEE TABLE BELOW)



SWIVEL

Note: Steel Wheel option shown

Top plates have fixing holes to suit 16mm diameter bolts

Swivel top plate thickness 50mm (G)

Fixed top plate thickness 25mm (H)

FOR TECHNICAL INFORMATION COVERING LOAD FACTORS, ETC., SEE 'DESIGN DATA' INDEX ON PAGE 20

A	B	C	D	E	F			Swivel		Fixed	
Wheel Diameter	Overall Height	Tread Width	Dim. between Horn Plates	Wheel Centre Off-set	Swivel Radius	Max Load Rating	Wheel Bearing Type	PART NUMBER	Approx Weight kg	PART NUMBER	Approx Weight kg
DIRECT BOND POLYURETHANE TYRED WHEEL											
460	595	75	240	150	390	6400	Tapered Roller	UHQZS/H460/75TB	178	UHQZF/H460/75TB	130
POLYURETHANE TYRED 'PRESS-ON BAND' WHEEL											
500	635	100	240	150	412	9600	Tapered Roller	UHQZS/PH500/100TB	240	UHQZF/PH500/100TB	192
STEEL WHEEL											
350	465	110	130	150	330	12000	Tapered Roller	UHQZS/SFT350/110TB	180	UHQZF/SFT350/110TB	132

Note: Steel wheel is a single wheel

UHQZ SERIES CASTORS

Directional locks are standard on UHQZS series castors.

NOTE: Also available with other wheel types.