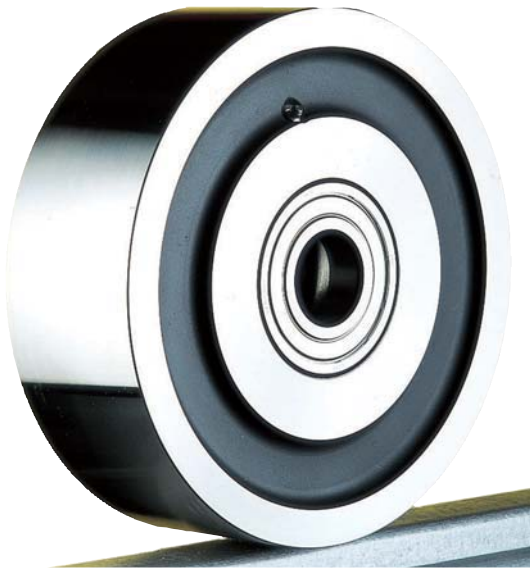


Steel Flat Tread Rail Wheels



While unflanged wheels can be used to run on surfaces such as concrete or steel plate, their most common application is paired with a double flanged wheel, the flanged wheel providing guidance and the unflanged wheel allowing a wide tolerance in the pitch of the rails.

MATERIAL: Steel to BS970: 1983: 080M40

OPERATING TEMPERATURE RANGE:

- Plain bored or keywayed wheels – 30°C to 350°C
- Ball or taper roller bearinged wheels – 30°C to 120°C

The 'maximum load rating' given for each wheel is based on the full tread width being in contact with the rail. Working loads must be calculated based on the useable rail width and operating conditions – see 'Design Data' paras. 6.1. and 6.2.

Alternative bore/bearing diameters and alternative bearing types (i.e. bronze bushes, self-lubricating bushes, roller bearings, spherical roller bearings, etc.) are available to order – see pages 26-27.

Plain bore wheels are not drilled and tapped for greasing unless requested at time of order.

For technical information covering load factors, inertial and rolling resistance, coefficients of friction between wheel and track, and keyway dimensions, see "Design Data" Index on page 20.

FULL PART NUMBER FOR ORDERING

Axle Ø	Plain Bore	Plain Bore Keywayed	Ball Bearing	Taper Roller Bearing
METRIC AXLE Ø				
25		SFT75/60/KM 25	SFT75/60/BJM 25 ⁽¹⁾	SFT75/60/TBM 25
30		SFT75/60/KM 30	SFT75/60/BJM 30 ⁽²⁾	SFT75/60/TBM 30

LOAD LIMITED BY BEARINGS TO: (1) 1140Kg (2) 2040Kg

WHEEL TYPE:

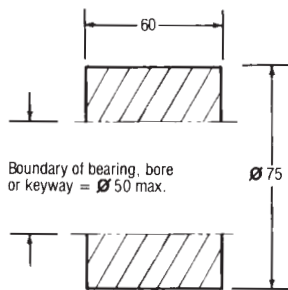
SFT75/60

See table for full part number

Maximum load rating:
2300Kg

See pages 23-26 for load factors

Approximate weight: 2Kg



Wheels fitted with ball journals are pre-lubricated, double shielded

WHEEL TYPE:

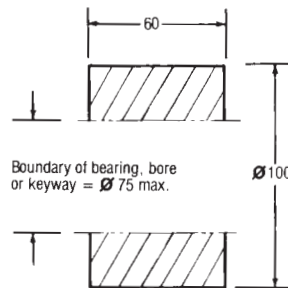
SFT100/60

See table for full part number

Maximum load rating:
3100Kg

See pages 23-26 for load factors

Approximate weight: 3.5Kg



Wheels fitted with ball journals are pre-lubricated, double shielded

METRIC AXLE Ø

25		SFT100/60/KM 25	SFT100/60/BJM 25 ⁽¹⁾	SFT100/60/TBM 25
30		SFT100/60/KM 30	SFT100/60/BJM 30 ⁽²⁾	SFT100/60/TBM 30

LOAD LIMITED BY BEARINGS TO: (1) 1140Kg (2) 2040Kg

STEEL FLAT TREAD RAIL

Steel Flat Tread Rail Wheels

STEEL FLAT TREAD RAIL

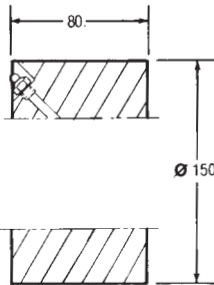
WHEEL TYPE:
SFT150/80

See table for full part number

Maximum load rating:
6200Kg

See pages 23-26 for load factors

Approximate weight: 10Kg



FULL PART NUMBER FOR ORDERING

Axle Ø	Plain Bore	Plain Bore Keywayed	Ball Bearing	Taper Roller Bearing
METRIC AXLE Ø				
30		SFT150/80/KM 30	SFT150/80/BJM 30 (1)	SFT150/80/TBM 30 (4)
35		SFT150/80/KM 35	SFT150/80/BJM 35 (2)	SFT150/80/TBM 35
40		SFT150/80/KM 40	SFT150/80/BJM 40 (3)	SFT150/80/TBM 40

LOAD LIMITED BY BEARINGS TO: (1) 2040Kg (2) 2800Kg (3) 3384Kg (4) 5200Kg

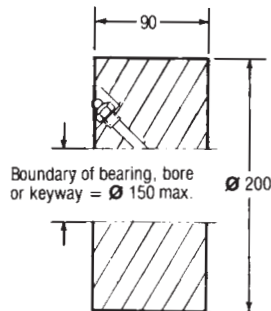
WHEEL TYPE:
SFT200/90

See table for full part number

Maximum load rating:
9300Kg

See pages 23-26 for load factors

Approximate weight: 22Kg



METRIC AXLE Ø				
40		SFT200/90/KM 40	SFT200/90/BJM 40 (1)	SFT200/90/TBM 40 (3)
50		SFT200/90/KM 50	SFT200/90/BJM 50 (2)	SFT200/90/TBM 50

LOAD LIMITED BY BEARINGS TO: (1) 3384Kg (2) 7340Kg (3) 8155Kg

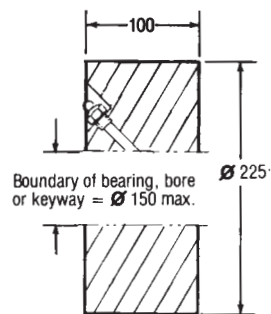
WHEEL TYPE:
SFT225/100

See table for full part number

Maximum load rating:
11600Kg

See pages 23-26 for load factors

Approximate weight: 30Kg



METRIC AXLE Ø				
50		SFT225/100/KM 50	SFT225/100/BJM 50 (1)	SFT225/100/TBM 50 (3)
60		SFT225/100/KM 60	SFT225/100/BJM 60 (2)	SFT225/100/TBM 60

LOAD LIMITED BY BEARINGS TO: (1) 7340Kg (2) 9785Kg (3) 10600Kg

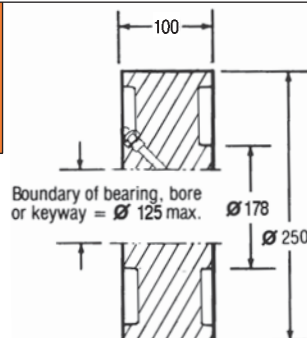
WHEEL TYPE:
SFT250/100

See table for full part number

Maximum load rating:
12900Kg

See pages 23-26 for load factors

Approximate weight: 37Kg



METRIC AXLE Ø				
50		SFT250/100/KM 50	SFT250/100/BJM 50 (1)	SFT250/100/TBM 50 (4)
60		SFT250/100/KM 60	SFT250/100/BJM 60 (2)	SFT250/100/TBM 60
75		SFT250/100/KM 75	SFT250/100/BJM 75 (3)	SFT250/100/TBM 75

LOAD LIMITED BY BEARINGS TO: (1) 7340Kg (2) 9785Kg (3) 9000Kg (4) 10600Kg

Steel Flat Tread Rail Wheels

BRAUER[®]

FULL PART NUMBER FOR ORDERING

Axle Ø	Plain Bore	Plain Bore Keywayed	Ball Bearing	Taper Roller Bearing
--------	------------	---------------------	--------------	----------------------

WHEEL TYPE: **SFT300/100**

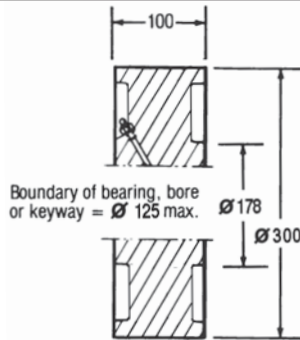
See table for full part number

Maximum load rating:

15400Kg

See pages 23-26 for load factors

Approximate weight: **54Kg**



METRIC AXLE Ø				
50		SFT300/100/KM 50	SFT300/100/BJM 50 (1)	SFT300/100/TBM 50 (4)
60		SFT300/100/KM 60	SFT300/100/BJM 60 (2)	SFT300/100/TBM 60 (5)
75		SFT300/100/KM 75	SFT300/100/BJM 75 (3)	SFT300/100/TBM 75

LOAD LIMITED BY BEARINGS TO: (1) 7340Kg (2) 9785Kg (3) 9000Kg (4) 10600Kg (5) 13350Kg

WHEEL TYPE: **SFT350/110**

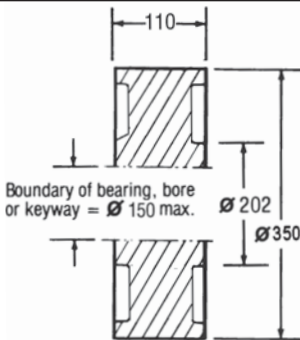
See table for full part number

Maximum load rating:

19900Kg

See pages 23-26 for load factors

Approximate weight: **80Kg**



METRIC AXLE Ø				
50		SFT350/110/KM 50	SFT350/110/BJM 50 (1)	SFT350/110/TBM 50 (4)
60		SFT350/110/KM 60	SFT350/110/BJM 60 (2)	SFT350/110/TBM 60 (5)
75		SFT350/110/KM 75	SFT350/110/BJM 75 (3)	SFT350/110/TBM 75 (6)

LOAD LIMITED BY BEARINGS TO: (1) 7340Kg (2) 9785Kg (3) 9000Kg (4) 10600Kg (5) 13350Kg (6) 19400Kg

WHEEL TYPE: **SFT450/125**

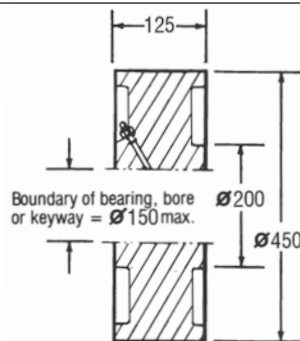
See table for full part number

Maximum load rating:

29000Kg

See pages 23-26 for load factors

Approximate weight: **150Kg**



METRIC AXLE Ø				
75		SFT450/125/KM 75		SFT450/125/TBM 75 (1)
100		SFT450/125/KM 100		SFT450/125/TBM 100

LOAD LIMITED BY BEARINGS TO: (1) 19400Kg

WHEEL TYPE: **SFT600/150**

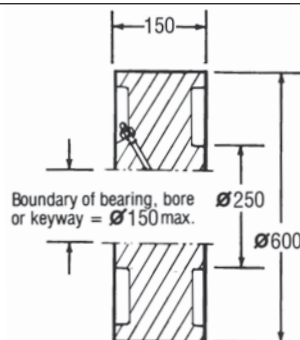
See table for full part number

Maximum load rating:

46300Kg

See pages 23-26 for load factors

Approximate weight: **325Kg**



METRIC AXLE Ø				
100		SFT600/150/KM 100		SFT600/150/TBM 100 (1)
150		SFT600/150/KM 150		SFT600/150/TBM 150

LOAD LIMITED BY BEARINGS TO: (1) 31000Kg

STEEL FLAT TREAD RAIL