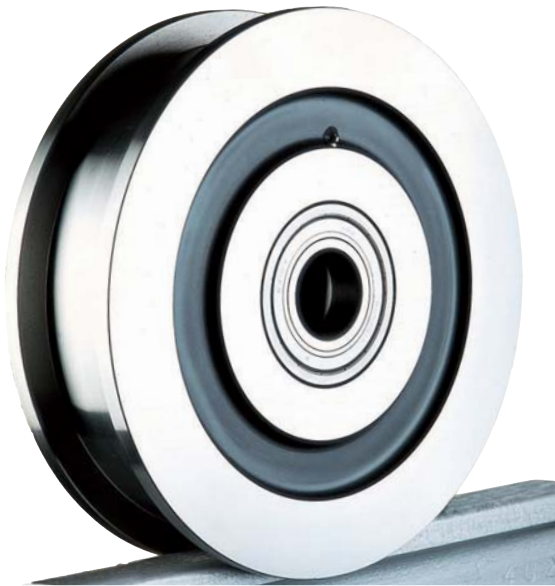


# Steel Double Flanged Rail Wheels



Flanged wheels can be used for guidance paired with an unflanged rail wheel to allow a wide tolerance in the pitch of the rails.

**MATERIAL:** Steel to BS970; Part I: 1983: 080M40

**OPERATING TEMPERATURE RANGE:**

- Plain bored or keywayed wheels – 30°C to 350°C
- Ball or taper roller bearinged wheels – 30°C to 120°C

The 'maximum load rating' given for each wheel is based on the full tread width being in contact with the rail. Working loads must be calculated based on the useable rail width and operating conditions – see 'Design Data' paras. 6.1. and 6.2.

Alternative bore/bearing diameters and alternative bearing types (i.e. bronze bushes, self-lubricating bushes, roller bearings, spherical roller bearings, etc.) are available to order – see pages 26-27.

Plain bore wheels are not drilled and taped for greasing unless requested at time of order.

**For technical information covering load factors, inertial and rolling resistance, coefficients of friction between wheel and track, and keyway dimensions, see "Design Data" Index on page 20.**

### FULL PART NUMBER FOR ORDERING

Axle Ø	Plain Bore	Plain Bore Keywayed	Ball Bearing	Taper Roller Bearing
<b>METRIC AXLE Ø</b>				
25		SDF75/35/KM 25	SDF75/35/BJM 25	SDF75/35/TBM 25
30		SDF75/35/KM 30	SDF75/35/BJM 30	SDF75/35/TBM 30

LOAD LIMITED BY BEARINGS TO: (1) 1140Kg

**WHEEL TYPE:  
SDF75/35**

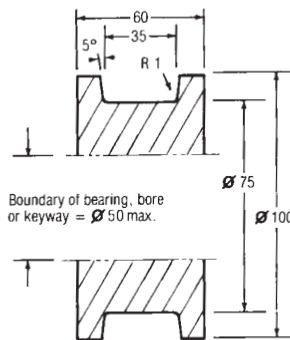
See table for full part number

Maximum load rating:

**1350Kg**

See pages 23-26 for load factors

Approximate weight: **2.5Kg**



Boundary of bearing, bore or keyway = Ø 50 max.

Wheels fitted with ball journals are pre-lubricated, double shielded

**WHEEL TYPE:  
SDF100/35**

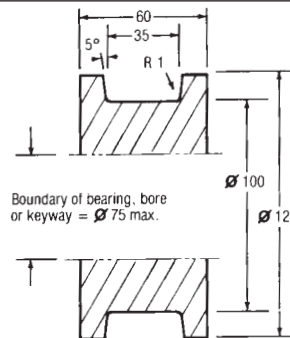
See table for full part number

Maximum load rating:

**1800Kg**

See pages 23-26 for load factors

Approximate weight: **4Kg**



Boundary of bearing, bore or keyway = Ø 75 max.

### METRIC AXLE Ø

25		SDF100/35/KM 25	SDF100/35/BJM 25	SDF100/35/TBM 25
30		SDF100/35/KM 30	SDF100/35/BJM 30	SDF100/35/TBM 30

LOAD LIMITED BY BEARINGS TO: (1) 1140Kg

Wheels fitted with ball journals are pre-lubricated, double shielded

STEEL DOUBLE FLANGED RAIL

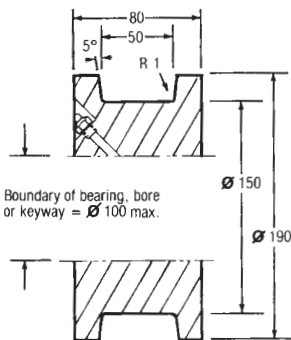
# Steel Double Flanged Rail Wheels

**WHEEL TYPE:**  
**SDF150/50**  
See table for full part number

**Maximum load rating:**  
**3900Kg**

See pages 23-26 for load factors

**Approximate weight: 13Kg**



### FULL PART NUMBER FOR ORDERING

Axle $\varnothing$	Plain Bore	Plain Bore Keywayed	Ball Bearing	Taper Roller Bearing
<b>METRIC AXLE <math>\varnothing</math></b>				
30		SDF150/50/KM 30	SDF150/50/BJM 30 (1)	SDF150/50/TBM 30
35		SDF150/50/KM 35	SDF150/50/BJM 35 (2)	SDF150/50/TBM 35
40		SDF150/50/KM 40	SDF150/50/BJM 40 (3)	SDF150/50/TBM 40

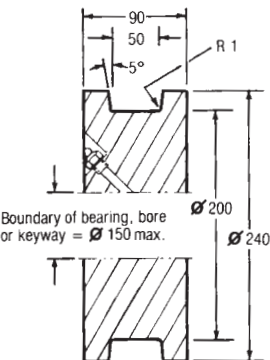
LOAD LIMITED BY BEARINGS TO: (1) 2040Kg (2) 2800Kg (3) 3384Kg

**WHEEL TYPE:**  
**SDF200/50**  
See table for full part number

**Maximum load rating:**  
**5100Kg**

See pages 23-26 for load factors

**Approximate weight: 25kg**



<b>METRIC AXLE <math>\varnothing</math></b>				
40		SDF200/50/KM 40	SDF200/50/BJM 40 (1)	SDF200/50/TBM 40
50		SDF200/50/KM 50	SDF200/50/BJM 50	SDF200/50/TBM 50

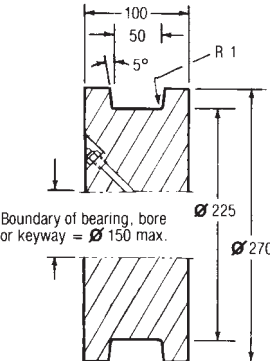
LOAD LIMITED BY BEARINGS TO: (1) 3384Kg

**WHEEL TYPE:**  
**SDF225/50**  
See table for full part number

**Maximum load rating:**  
**5800Kg**

See pages 23-26 for load factors

**Approximate weight: 36Kg**



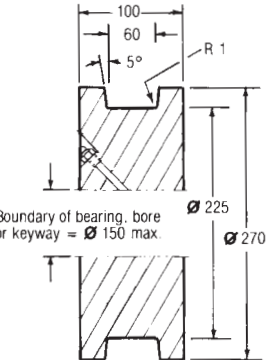
<b>METRIC AXLE <math>\varnothing</math></b>				
50		SDF225/50/KM 50	SDF225/50/BJM 50	SDF225/50/TBM 50
60		SDF225/50/KM 60	SDF225/50/BJM 60	SDF225/50/TBM 60

**WHEEL TYPE:**  
**SDF225/60**  
See table for full part number

**Maximum load rating:**  
**7000Kg**

See pages 23-26 for load factors

**Approximate weight: 35Kg**



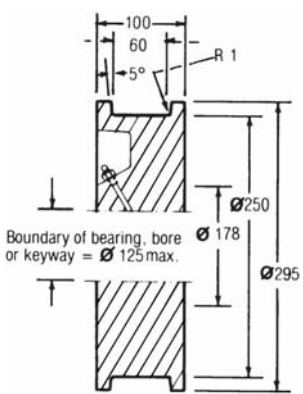
<b>METRIC AXLE <math>\varnothing</math></b>				
50		SDF225/60/KM 50	SDF225/60/BJM 50	SDF225/60/TBM 50
60		SDF225/60/KM 60	SDF225/60/BJM 60	SDF225/60/TBM 60

# Steel Double Flanged Rail Wheels

**BRAUER**<sup>®</sup>

**WHEEL TYPE:**  
**SDF250/60**  
See table for full part number

**Maximum load rating:**  
**7700Kg**  
See pages 23-26 for load factors  
**Approximate weight: 44Kg**



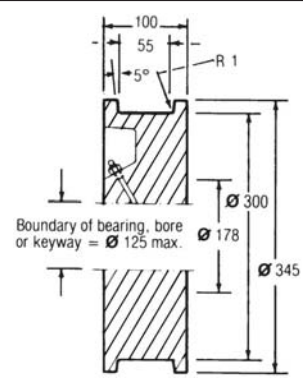
**FULL PART NUMBER FOR ORDERING**

Axle Ø	Plain Bore	Plain Bore Keywayed	Ball Bearing	Taper Roller Bearing
<b>METRIC AXLE Ø</b>				
50		SDF250/60/KM 50	(1) SDF250/60/BJM 50	SDF250/60/TBM 50
60		SDF250/60/KM 60	SDF250/60/BJM 60	SDF250/60/TBM 60

LOAD LIMITED BY BEARINGS TO: (1) 7340Kg

**WHEEL TYPE:**  
**SDF300/55**  
See table for full part number

**Maximum load rating:**  
**8500Kg**  
See pages 23-26 for load factors  
**Approximate weight: 60Kg**

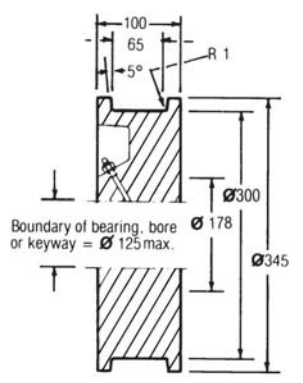


Axle Ø	Plain Bore	Plain Bore Keywayed	Ball Bearing	Taper Roller Bearing
<b>METRIC AXLE Ø</b>				
50		SDF300/55/KM 50	(1) SDF300/55/BJM 50	SDF300/55/TBM 50
60		SDF300/55/KM 60	SDF300/55/BJM 60	SDF300/55/TBM 60
75		SDF300/55/KM 75	SDF300/55/BJM 75	SDF300/55/TBM 75

LOAD LIMITED BY BEARINGS TO: (1) 7340Kg

**WHEEL TYPE:**  
**SDF300/65**  
See table for full part number

**Maximum load rating:**  
**10000Kg**  
See pages 23-26 for load factors  
**Approximate weight: 59Kg**

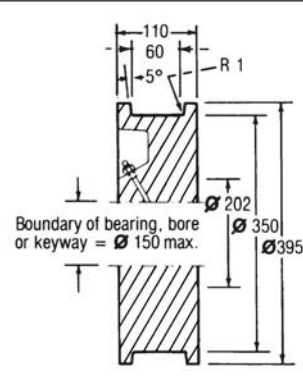


Axle Ø	Plain Bore	Plain Bore Keywayed	Ball Bearing	Taper Roller Bearing
<b>METRIC AXLE Ø</b>				
50		SDF300/65/KM 50	(1)	SDF300/65/TBM 50
60		SDF300/65/KM 60	(1) SDF300/65/BJM 60	SDF300/65/TBM 60
75		SDF300/65/KM 75	(2) SDF300/65/BJM 75	SDF300/55/TBM 75

LOAD LIMITED BY BEARINGS TO: (1) 9785Kg (2) 9000Kg

**WHEEL TYPE:**  
**SDF350/60**  
See table for full part number

**Maximum load rating:**  
**10800Kg**  
See pages 23-26 for load factors  
**Approximate weight: 90Kg**



Axle Ø	Plain Bore	Plain Bore Keywayed	Ball Bearing	Taper Roller Bearing
<b>METRIC AXLE Ø</b>				
50		SDF350/60/KM 50	(3)	SDF350/60/TBM 50
60		SDF350/60/KM 60	(1) SDF350/60/BJM 60	SDF350/60/TBM 60
75		SDF350/60/KM 75	(2) SDF350/60/BJM 75	SDF350/60/TBM 75

LOAD LIMITED BY BEARINGS TO: (1) 9785Kg (2) 9000Kg (3) 10600Kg

**STEEL DOUBLE FLANGED RAIL**

# Steel Double Flanged Rail Wheels

STEEL DOUBLE FLANGED RAIL

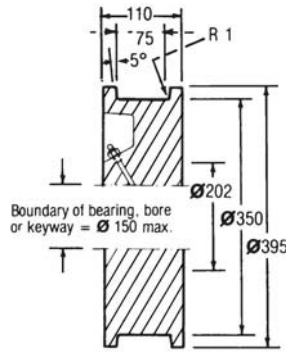
## WHEEL TYPE: SDF350/75

See table for full part number

Maximum load rating:  
**13500Kg**

See pages 23-26 for load factors

Approximate weight: **90Kg**



### FULL PART NUMBER FOR ORDERING

Axle Ø	Plain Bore	Plain Bore Keywayed	Ball Bearing	Taper Roller Bearing
<b>METRIC AXLE Ø</b>				
60		SDF350/75/KM 60		SDF350/75/TBM 60
75		SDF350/75/KM 75		SDF350/75/TBM 75
100		SDF350/75/KM 100		SDF350/75/TBM 100

LOAD LIMITED BY BEARINGS TO: (1) 13350Kg

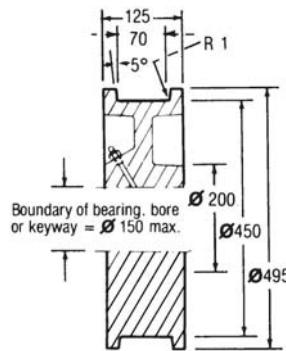
## WHEEL TYPE: SDF450/70

See table for full part number

Maximum load rating:  
**16200Kg**

See pages 23-26 for load factors

Approximate weight: **160Kg**



<b>METRIC AXLE Ø</b>				
75		SDF450/70/KM 75		SDF450/70/TBM 75
100		SDF450/70/KM 100		SDF450/70/TBM 100

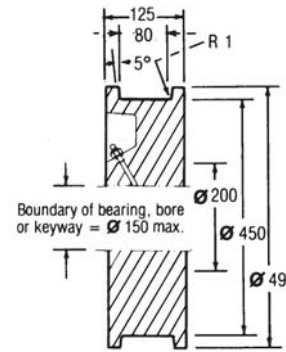
## WHEEL TYPE: SDF450/80

See table for full part number

Maximum load rating:  
**18500Kg**

See pages 23-26 for load factors

Approximate weight: **160Kg**



<b>METRIC AXLE Ø</b>				
75		SDF450/80/KM 75		SDF450/80/TBM 75
100		SDF450/80/KM 100		SDF450/80/TBM 100

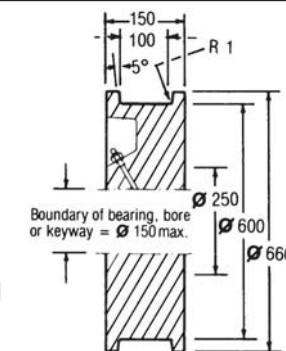
## WHEEL TYPE: SDF600/100

See table for full part number

Maximum load rating:  
**30900Kg**

See pages 23-26 for load factors

Approximate weight: **350Kg**



<b>METRIC AXLE Ø</b>				
100		SDF600/100/KM 100		SDF600/100/TBM 100
150		SDF600/100/KM 150		SDF600/100/TBM 150