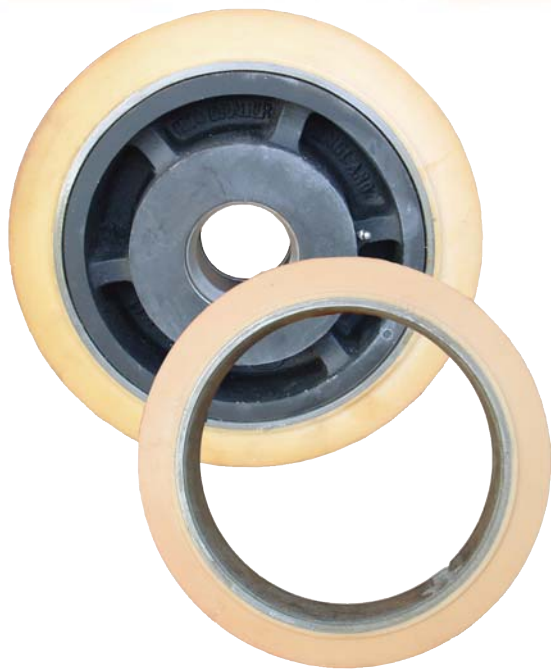


Polyurethane 'Press-on Band' Tyred Wheels



Unlike the less expensive polyurethane tyred wheels shown on pages 68-73 which have the tyre bonded directly to the wheel centre, 'Press-on Band' wheels have the tyre bonded to a thin steel band which is press-fitted to the wheel centre allowing the tyre to be replaced when worn.

MATERIAL: Wheel centre – cast iron to BS1452: 1977: Grade 200 or steel to BS970: Part 1: 1983: 080M40
Tyre – Polyester based polymer of $92 \pm 3^\circ\text{A}$ Shore hardness.

OPERATING TEMPERATURE RANGE:
-20°C to +60°C (115°C for limited intermittent use).

PLEASE SPECIFY IF OPERATING IN HIGH HUMIDITY.

Anti-hydrolysis polyurethane is recommended for use in an operating environment of high humidity.

Polyurethane to the above hardness used on these wheels is Vulkollan, a high quality material that provides superior performance in most applications.

Should the mechanical properties of Vulkollan be inappropriate for the application, alternative grades of Polyurethane can be produced to meet the requirements. Polyurethane can be bonded onto most metal centres including aluminium, titanium, stainless steel and various ferrous and non-ferrous alloys.

The 'maximum load rating' given for each wheel is for operation under ideal conditions. Load factors must be applied according to the anticipated working conditions – see 'Design Data' para. 5.1.

Alternative bore/bearing diameters and alternative bearing types (i.e. bronze bushes, self-lubricating bushes, roller bearings, spherical roller bearings, etc.) are available to order – see page 26-27.

For technical information covering load factors, chemical resistance, inertial and rolling resistance, coefficients of friction between wheel and track, and keyway dimensions, see "Design Data" Index on page 20.

Drawings show grease nipple but standard wheels do not come with grease nipple unless specifically requested.

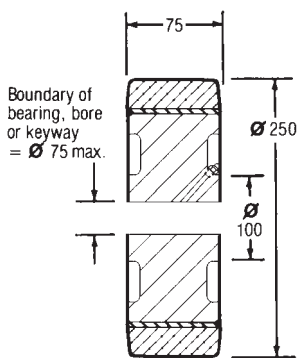
Tyres can be produced with crown/dome treads to suit specific applications.

ALLOWABLE LOADS @ 6KPH

WHEEL TYPE:
PH250/75
See table for full part number

Maximum load rating:
2000Kg

See page 22-23 for load factors
Approximate weight: **20Kg**



FULL PART NUMBER FOR ORDERING

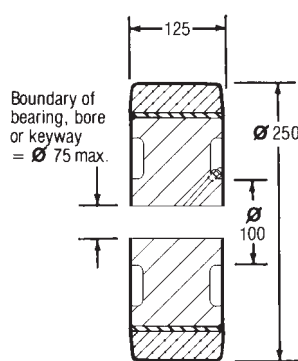
Axle Ø	Plain Bore	Plain Bore Keywayed	Ball Bearing	Taper Roller Bearing
METRIC AXLE Ø				
35		PH250/75/KM 35	PH250/75/BJM 35	PH250/75/TBM 35
40		PH250/75/KM 40	PH250/75/BJM 40	PH250/75/TBM 40
50		PH250/75/KM 50	PH250/75/BJM 50	PH250/75/TBM 50

BAND ONLY PART NUMBER
PH250/3

WHEEL TYPE:
PH250/125
See table for full part number

Maximum load rating:
3400Kg

See page 22-23 for load factors
Approximate weight: **33Kg**



METRIC AXLE Ø				
35		PH250/125/KM 35	PH250/125/BJM 35	PH250/125/TBM 35
40		PH250/125/KM 40	PH250/125/BJM 40	PH250/125/TBM 40
50		PH250/125/KM 50	PH250/125/BJM 50	PH250/125/TBM 50

LOAD LIMITED BY BEARINGS TO: (1) 2800Kg (2) 3384Kg

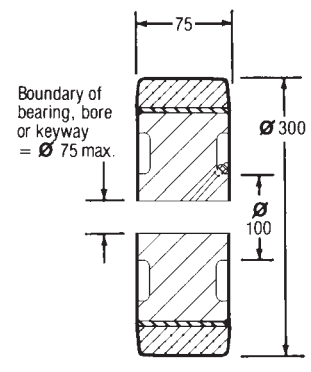
BAND ONLY PART NUMBER
PH250/5

POLYURETHANE 'PRESS-ON-BAND'

WHEEL TYPE:
PH300/75
See table for full part number

Maximum load rating:
2550kg
See page 22-23 for load factors

Approximate weight: 28kg



FULL PART NUMBER FOR ORDERING

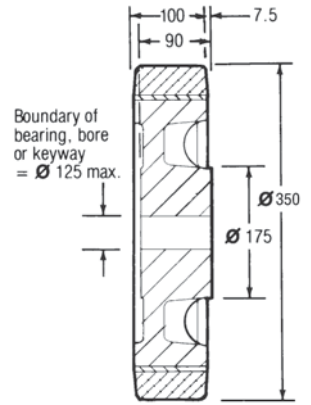
Axle Ø	Plain Bore	Plain Bore Keywayed	Ball Bearing	Taper Roller Bearing
METRIC AXLE Ø				
40		PH300/75/KM 40	PH300/75/BJM 40	PH300/75/TBM 40
50		PH300/75/KM 50	PH300/75/BJM 50	PH300/75/TBM 50
60		PH300/75/KM 60	PH300/75/BJM 60	PH300/75/TBM 60

BAND ONLY PART NUMBER
PH300/3

WHEEL TYPE:
PH350/100
See table for full part number

Maximum load rating:
3600Kg
See page 22-23 for load factors

Approximate weight: 40Kg



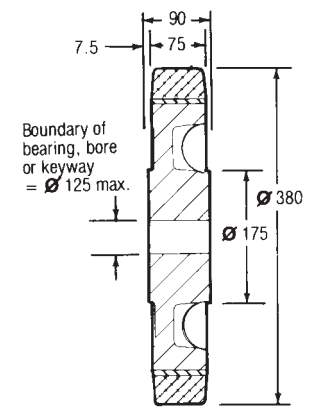
METRIC AXLE Ø				
50		PH350/100/KM 50	PH350/100/BJM 50	PH350/100/TBM 50
60		PH350/100/KM 60	PH350/100/BJM 60	PH350/100/TBM 60

BAND ONLY PART NUMBER
PH300/4

WHEEL TYPE:
PH380/75
See table for full part number

Maximum load rating:
2700Kg
See page 22-23 for load factors

Approximate weight: 36Kg



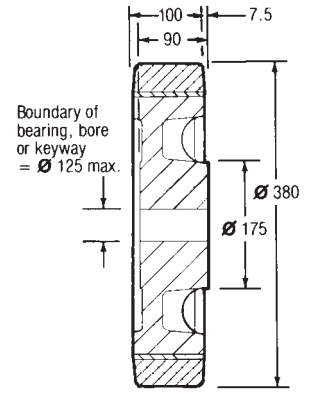
METRIC AXLE Ø				
50		PH380/75/KM 50	PH380/75/BJM 50	PH380/75/TBM 50
60		PH380/75/KM 60	PH380/75/BJM 60	PH380/75/TBM 60
75		PH380/75/KM 75	PH380/75/BJM 75	PH380/75/TBM 75

BAND ONLY PART NUMBER
PH380/3

WHEEL TYPE:
PH380/100
See table for full part number

Maximum load rating:
3600Kg
See page 22-23 for load factors

Approximate weight: 45Kg



METRIC AXLE Ø				
60		PH380/100/KM 60	PH380/100/BJM 60	PH380/100/TBM 60
75		PH380/100/KM 75	PH380/100/BJM 75	PH380/100/TBM 75

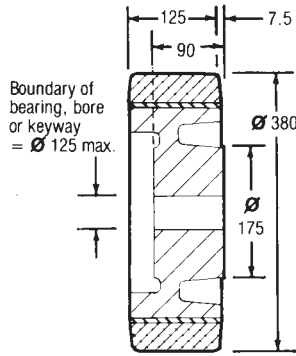
BAND ONLY PART NUMBER
PH380/4

Polyurethane 'Press-on Band' Tyred Wheels

BRAUER®

WHEEL TYPE:
PH380/125
See table for full part number

Maximum load rating:
4500Kg
See page 22-23 for load factors
Approximate weight: 53Kg



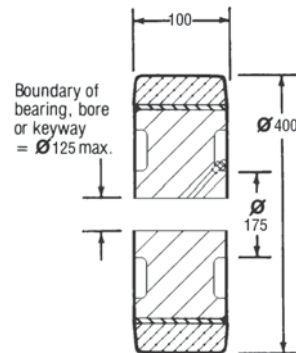
FULL PART NUMBER FOR ORDERING

Axle Ø	Plain Bore	Plain Bore Keywayed	Ball Bearing	Taper Roller Bearing
METRIC AXLE Ø				
60		PH380/125/KM 60	PH380/125/BJM 60	PH380/125/TBM 60
75		PH380/125/KM 75	PH380/125/BJM 75	PH380/125/TBM 75

BAND ONLY PART NUMBER
PH380/5

WHEEL TYPE:
PH400/100
See table for full part number

Maximum load rating:
3800Kg
See page 22-23 for load factors
Approximate weight: 65Kg

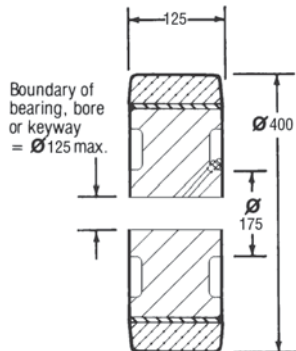


METRIC AXLE Ø				
60		PH400/100/KM 60	PH400/100/BJM 60	PH400/100/TBM 60
75		PH400/100/KM 75	PH400/100/BJM 75	PH400/100/TBM 75

BAND ONLY PART NUMBER
PH400/4

WHEEL TYPE:
PH400/125
See table for full part number

Maximum load rating:
4800Kg
See page 22-23 for load factors
Approximate weight: 80Kg

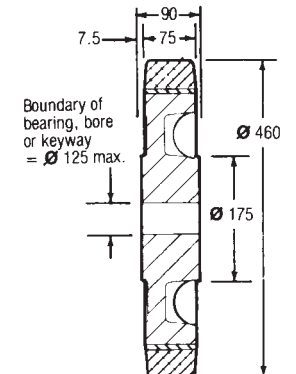


METRIC AXLE Ø				
60		PH400/125/KM 60	PH400/125/BJM 60	PH400/125/TBM 60
75		PH400/125/KM 75	PH400/125/BJM 75	PH400/125/TBM 75

BAND ONLY PART NUMBER
PH400/5

WHEEL TYPE:
PH460/75
See table for full part number

Maximum load rating:
3200Kg
See page 22-23 for load factors
Approximate weight: 45Kg



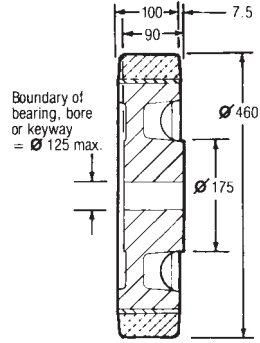
METRIC AXLE Ø				
60		PH460/75/KM 60	PH460/75/BJM 60	PH460/75/TBM 60
75		PH460/75/KM 75	PH460/75/BJM 75	PH460/75/TBM 75

BAND ONLY PART NUMBER
PH460/3

POLYURETHANE 'PRESS-ON-BAND'

WHEEL TYPE:
PH460/100
See table for full part number

Maximum load rating:
4200Kg
See page 22-23 for load factors
Approximate weight: 52Kg



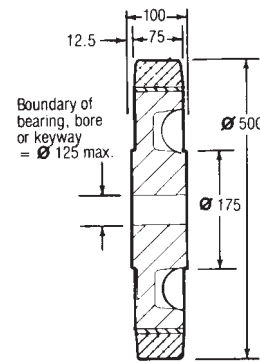
FULL PART NUMBER FOR ORDERING

Axle Ø	Plain Bore	Plain Bore Keywayed	Ball Bearing	Taper Roller Bearing
METRIC AXLE Ø				
60		PH460/100/KM 60	PH460/100/BJM 60	PH460/100/TBM 60
75		PH460/100/KM 75	PH460/100/BJM 75	PH460/100/TBM 75

BAND ONLY PART NUMBER
PH460/4

WHEEL TYPE:
PH500/75
See table for full part number

Maximum load rating:
3600Kg
See page 22-23 for load factors
Approximate weight: 65Kg

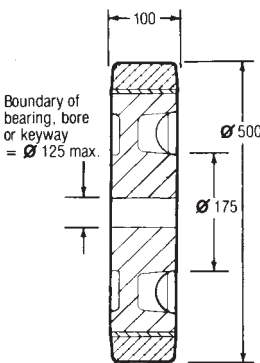


METRIC AXLE Ø				
75		PH500/75/KM 75	PH500/75/BJM 75	PH500/75/TBM 75
100		PH500/75/KM 100	PH500/75/BJM 100	PH500/75/TBM 100

BAND ONLY PART NUMBER
PH500/3

WHEEL TYPE:
PH500/100
See table for full part number

Maximum load rating:
4800Kg
See page 22-23 for load factors
Approximate weight: 70Kg



METRIC AXLE Ø				
75		PH500/100/KM 75	PH500/100/BJM 75	PH500/100/TBM 75
100		PH500/100/KM 100	PH500/100/BJM 100	PH500/100/TBM 100

BAND ONLY PART NUMBER
PH500/4