

# Flat suction cup (round)

<https://www.schmalz.com/10.01.01.00100>



PFYN 20 SI-55 G1/8-IG

Part no.: 10.01.01.00100

Homepage > Vacuum Technology for Automation > Vacuum Components > Vacuum Suction Cups > Flat Suction Cups (Round) > Flat Suction Cups

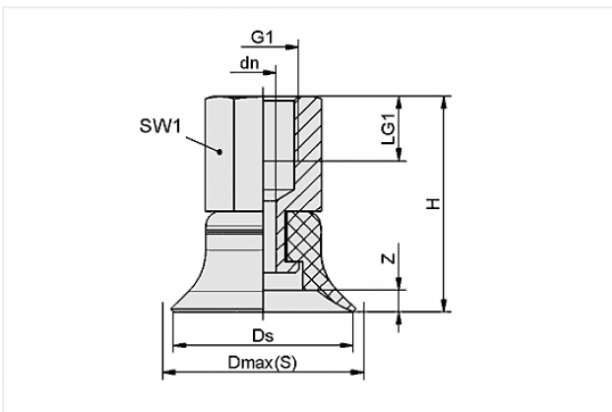
PFYN > PFYN 20 SI-55 G1/8-IG

## Flat suction cup (round) for smooth or slightly rough surfaces



Size: 20  
Suction cup material: Silicone SI  
Material hardness: 55 °Sh  
Material characteristics:  
FDA-compatible  
Nipple material: Aluminium  
Vacuum connection: G1/8-F

### Design Data



Attribute	Value
dn	2 mm
Dmax(S)	23 mm
Ds	20 mm
G1	G1/8"-F
H	26 mm
LG1	9 mm
SW1	14 mm
Z	2.2 mm

### Technical Data

#### Contact to Schmalz

J. Schmalz GmbH | Johannes-Schmalz-Straße, 72293 Glatten, Deutschland | +49 7443 2403-102 | [customercenter@schmalz.de](mailto:customercenter@schmalz.de)

Attribute	Value
Suction force	15.5 N
Volume	0.8 cm <sup>3</sup>
Curve radius (min) (convex)	20 mm
Internal hose diameter (recom.)	4 mm
Size	20
Number of folds	0
Suction cup material	Silicone SI
Material hardness	55 °Sh
Weight	7 g
Product family	PFYN

**Note:**

- Suction force: The specified suction forces are theoretical values at a vacuum of -0.6 bar and with a smooth, dry workpiece surface - they do not include a safety factor
- Hose diameter: The recommended hose diameter refers to a hose length of approx. 2 m

**Spare Parts**



**SA-NIP N006 G1/8-IG DN200**

Part no. 10.01.01.03522

Suction cup connection nipple

Nipple: N 006

Thread G1: G1/8-F

Overall length: 22.5 mm

Fitting length: 16 mm

Nominal size: 2.00 mm

Material: Aluminium



**PFG 20 SI-55 N006**

Part no. 10.01.01.00032

Flat suction cup (round) for smooth or slightly rough surfaces

Size: 20

Suction cup material: Silicone SI

Material hardness: 55 °Sh

Material characteristics:

FDA-compatible