

Flat suction cup (round)

<https://www.schmalz.com/10.01.01.10351>

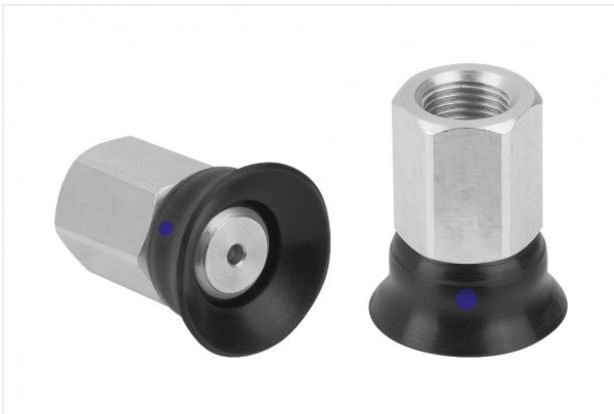


PFYN 20 NBR-AS-55 G1/8-IG

Part no.: 10.01.01.10351

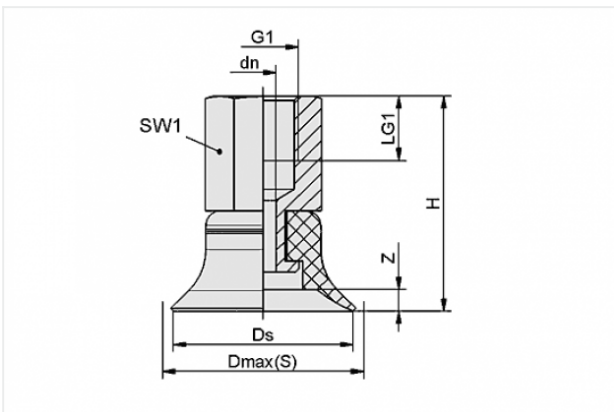
Homepage > Vacuum Technology for Automation > Vacuum Components > Vacuum Suction Cups > PFYN 20 NBR-AS-55 G1/8-IG

Flat suction cup (round) for smooth or slightly rough surfaces



Size: 20
Suction cup material:
Nitrile rubber NBR-antistat
Material hardness: 55 °Sh
Nipple material: Aluminium
Vacuum connection: G1/8-F

Design Data



| Attribute | Value |
|-----------|---------|
| dn | 2 mm |
| Dmax(S) | 23 mm |
| Ds | 20 mm |
| G1 | G1/8"-F |
| H | 26 mm |
| LG1 | 9 mm |
| SW1 | 14 mm |
| Z | 2.2 mm |

Technical Data

| Attribute | Value |
|---------------|--------|
| Suction force | 15.5 N |

Contact to Schmalz

J. Schmalz GmbH | Johannes-Schmalz-Straße, 72293 Glatten, Deutschland | +49 7443 2403-102 | customercenter@schmalz.de

| Attribute | Value |
|---------------------------------|-----------------------------|
| Volume | 0.8 cm ³ |
| Curve radius (min) (convex) | 20 mm |
| Internal hose diameter (recom.) | 4 mm |
| Size | 20 |
| Number of folds | 0 |
| Suction cup material | Nitrile rubber NBR-antistat |
| Material hardness | 55 °Sh |
| Weight | 7 g |
| Product family | PfYN |

Spare Parts



SA-NIP N006 G1/8-IG DN200

Part no. 10.01.01.03522

Suction cup connection nipple

Nipple: N 006

Thread G1: G1/8-F

Overall length: 22.5 mm

Fitting length: 16 mm

Nominal size: 2.00 mm

Material: Aluminium



PFG 20 NBR-AS-55 N006

Part no. 10.01.01.10337

Flat suction cup (round) for smooth or slightly rough surfaces

Size: 20

Suction cup material:

Nitrile rubber NBR-antistat

Material hardness: 55 °Sh