

## Flat suction cup (round)

### SUF 5 NBR-ESD-55 M5-AG

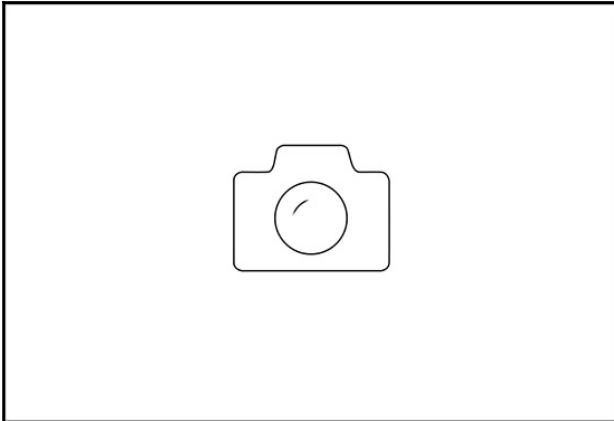
Part no.:10.01.01.14236

<https://www.schmalz.com/10.01.01.14236>

Homepage > Vacuum Technology for Automation > Vacuum Components > Vacuum Suction Cups > Flat suction cup (round) > Flat Suction

Cups SUF > SUF 5 NBR-ESD-55 M5-AG

## Flat suction cup (round) for process safe handling of smooth or slightly rough surfaces



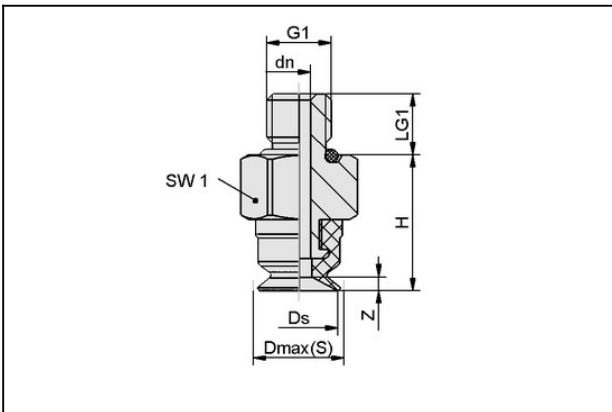
Size: 5

Suction cup material:

Nitrile rubber NBR-dissipative

Material hardness: 55 °Sh

### Design Data



| Attribute  | Value   |
|------------|---------|
| Dmax(S)    | 5.7 mm  |
| Ds         | 5 mm    |
| dn         | 1.8 mm  |
| G1         | M5-M    |
| H          | 10.5 mm |
| LG1        | 4.7 mm  |
| SW1        | 5 mm    |
| Z (Stroke) | 0.5 mm  |

### Technical Data

#### Contact to Schmalz

J. Schmalz GmbH | Johannes-Schmalz-Straße, 72293 Glatten, Deutschland | +49 7443 2403-102 | [customercenter@schmalz.de](mailto:customercenter@schmalz.de)

## Flat suction cup (round)

### SUF 5 NBR-ESD-55 M5-AG

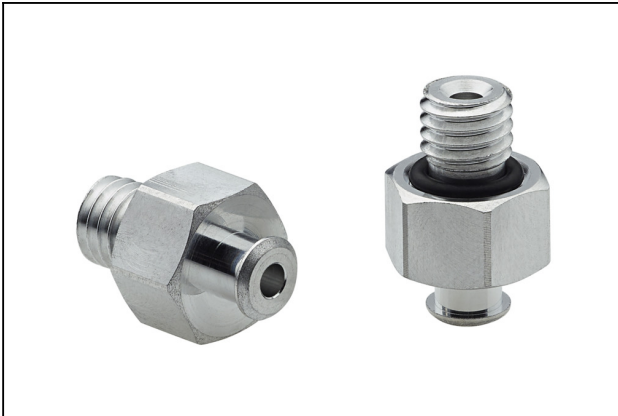
Part no.:10.01.01.14236

<https://www.schmalz.com/10.01.01.14236>

| Attribute                   | Value                          |
|-----------------------------|--------------------------------|
| Size                        | 5                              |
| Suction cup material        | Nitrile rubber NBR-dissipative |
| Material hardness [Shore A] | 55.0 Shore A                   |
| Abreißkraft (real)          | 0.9 N                          |

---

### Spare Parts



#### SC 020 M5-AG

Part no.10.01.06.04273

Connection element for suction cup "SchmalzConnector"

Connection geometry: 020

Vacuum connection: M5-M

Overall length: 12.7 mm

Fitting length: 5 mm

Nominal diameter dn: 1.8 mm