

## Flat suction cup (round)

### SUF 3 NBR-ESD-55 M3-AG

Part no.:10.01.01.14294

<https://www.schmalz.com/10.01.01.14294>

Homepage > Vacuum Technology for Automation > Vacuum Components > Vacuum Suction Cups > Flat suction cup (round) > Flat Suction

Cups SUF > SUF 3 NBR-ESD-55 M3-AG

## Flat suction cup (round) for process safe handling of smooth or slightly rough surfaces



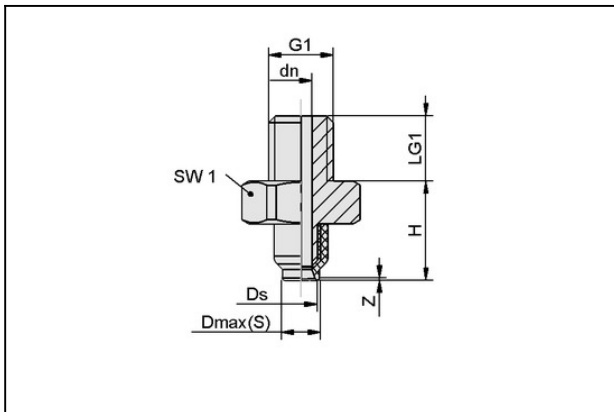
Size: 3

Suction cup material:

Nitrile rubber NBR-dissipative

Material hardness: 55 °Sh

### Design Data



Attribute	Value
Dmax(S)	3.7 mm
Ds	3 mm
dn	1 mm
G1	M3-M
H	5.5 mm
LG1	3 mm
SW1	5 mm
Z (Stroke)	0.3 mm

### Technical Data

Attribute	Value
Size	3
Suction cup material	Nitrile rubber NBR-dissipative
Material hardness [Shore A]	55.0 Shore A

### Contact to Schmalz

J. Schmalz GmbH | Johannes-Schmalz-Straße, 72293 Glatten, Deutschland | +49 7443 2403-102 | [customercenter@schmalz.de](mailto:customercenter@schmalz.de)

## Flat suction cup (round)

SUF 3 NBR-ESD-55 M3-AG

Part no.:10.01.01.14294

<https://www.schmalz.com/10.01.01.14294>



---

### Spare Parts



#### **SC 010 M3-AG**

Part no.10.01.06.04249

Connection element for suction cup "SchmalzConnector"

Connection geometry: 010

Vacuum connection: M3-M

Fitting length: 2 mm

Nominal diameter dn: 1 mm